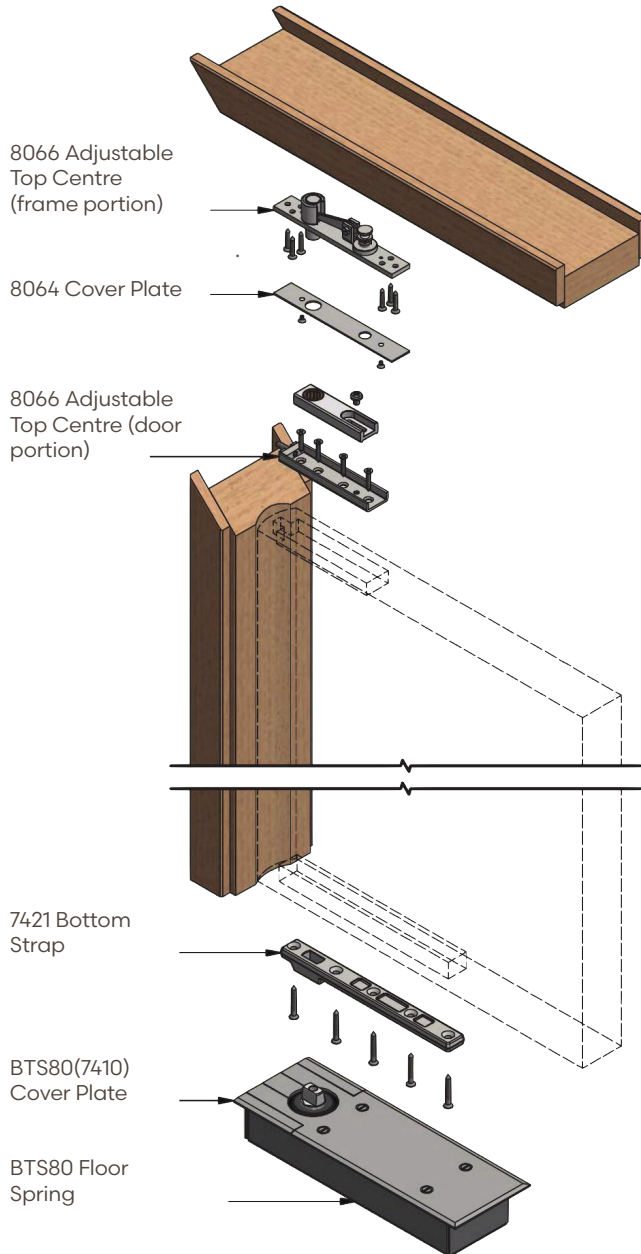


# FLOOR SPRING & PIVOT BOX IRONMONGERY DETAIL

# FD60S

## Exploded isometric



Visual details for illustrative purposes only.

## Floor spring options

### Option 1 - Built-in Hold Open

DormaKaba BTS80 EMB An Electromagnetic Floor Spring with hold open capabilities



### Option 2 - Hold Open fixed to door face

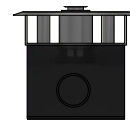
DormaKaba BTS80 F A Universal Floor Spring for Double Acting Door Assemblies - Suitable for use with Magnetic Hold Open Armature plates to a maximum of 100 x 100 mm foot print, 150 mm away from any aperture, 50 mm from edge of door



Magnetic Hold Open Armature



## Pivot box options



### Option 1

Pivot box wrapped in 2 mm MAP when used with Timber base cill.  
DormaKaba BTS80 - For Non-combustible Floor/Ceramic Tiles



### Option 2

DormaKaba BTS80 - Flush to FFL



forza-doors.com  
01403 711126  
info@forza-doors.com

## Specification

CORE TYPE	64 mm FCH90
LINER	Solid Timber min. density 640 kg/m <sup>2</sup>
FIRE RATING	FD60s

TITLE	Timber Double Action Pivot Door - Smoke Control
ISSUE	1
SHEET	
DATE	31/03/2026
DWG No	FZD5643