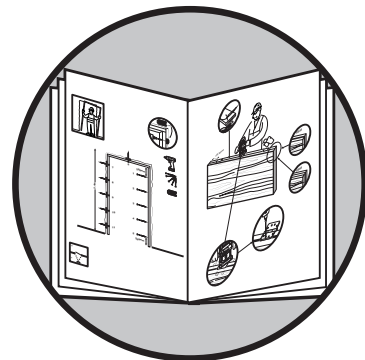
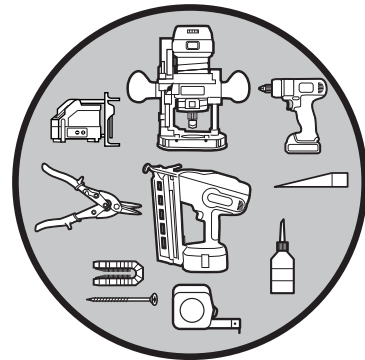
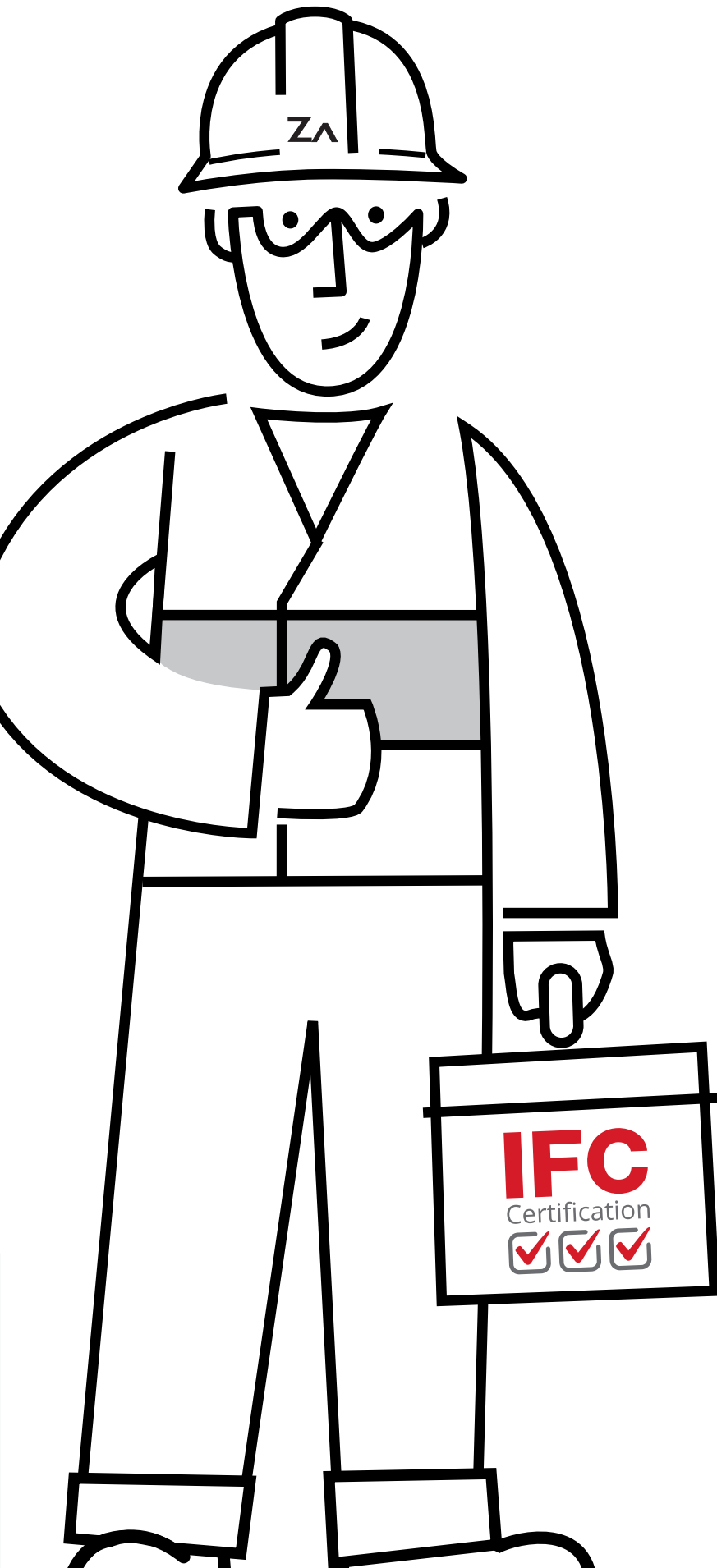
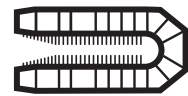
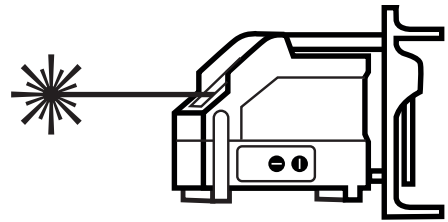
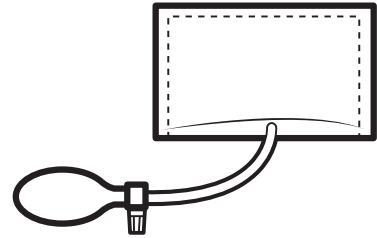
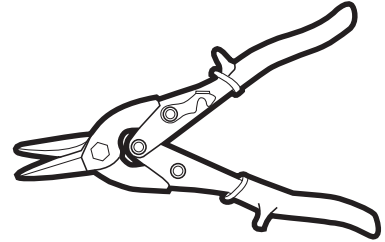
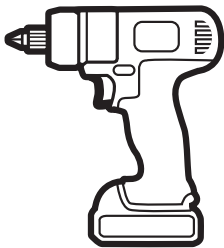
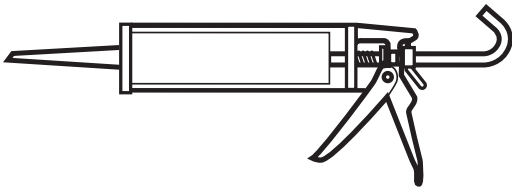
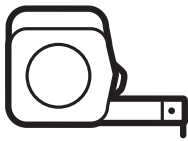
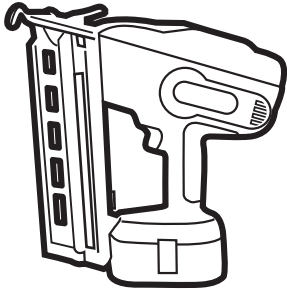
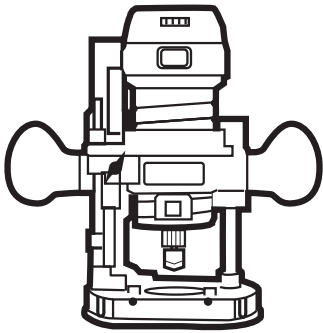
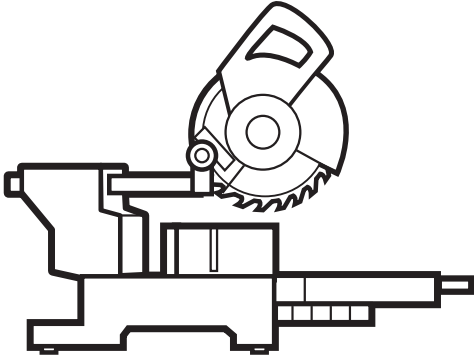
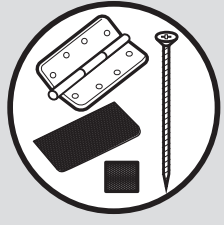
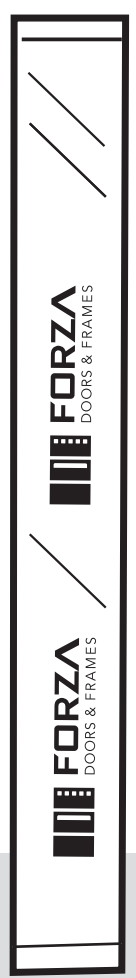
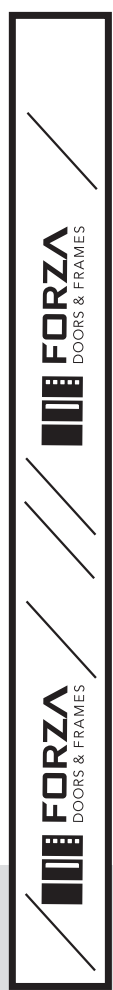
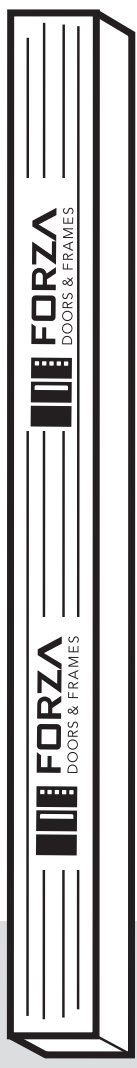
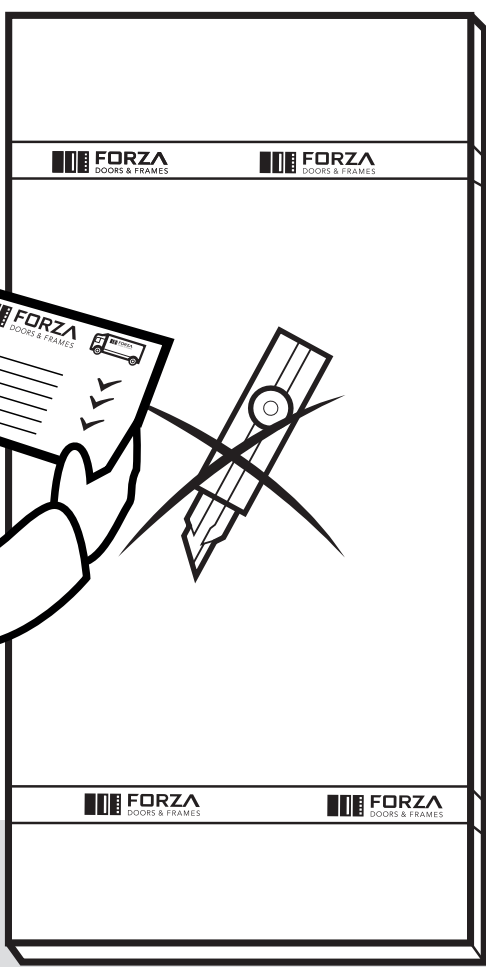
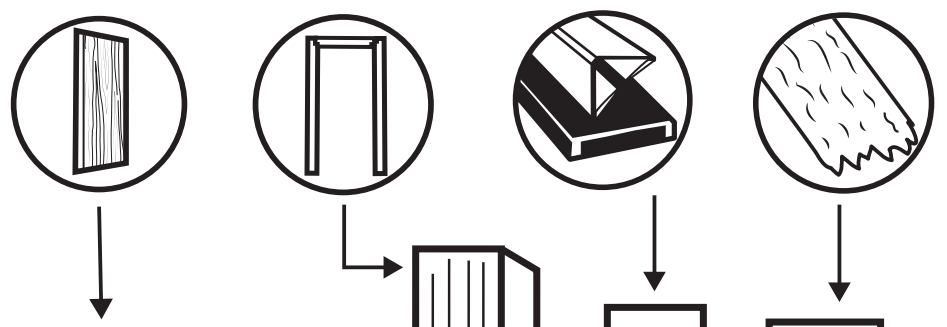
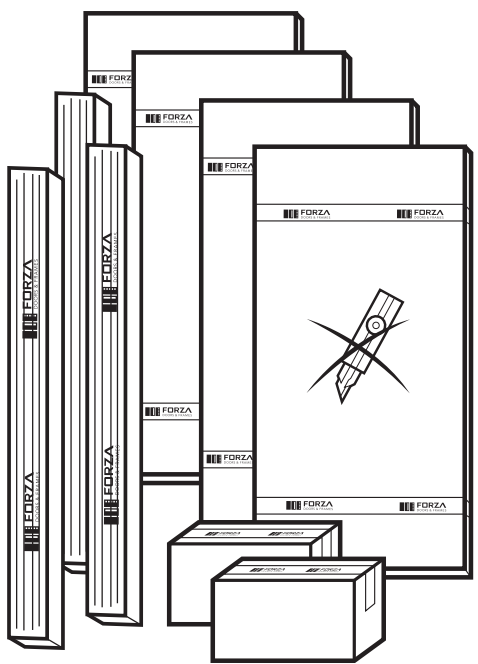
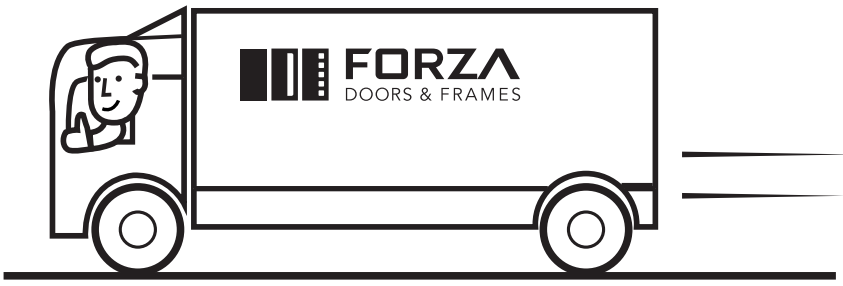
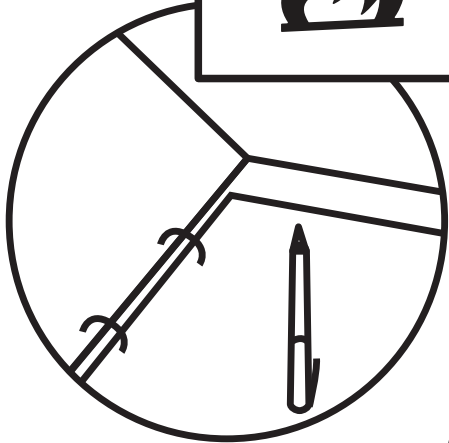
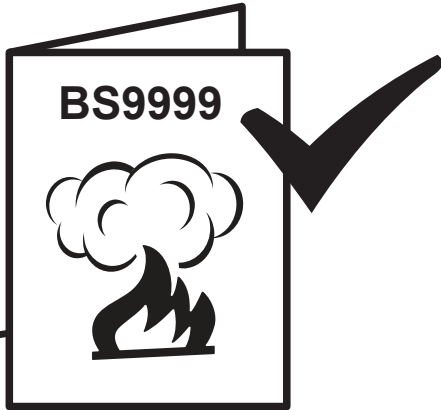


# FD90 & FD120 Fire Door Assemblies Installation Guide









**FORZA**  
DOORS & FRAMES

IRONMONGERY INSTALLATION GUIDE ON REVERSE

CERTIFICATED <b>IRE</b> DOOR <small>DO NOT REMOVE THIS LABEL</small>	IFC Certification FRTD497	FORZA FIRE DOOR NO: 985512	FORZA FIRE DOOR NO:
---	---------------------------------	----------------------------------	---------------------------

**RESISTANT TIMBER FIRE DOORS & FRAMES**

PART 22 : 1987 - PRODUCT CERTIFICATE NO. FRTD497

that FORZA DOORS LTD Manufacture in the UK the following fire doors and door assemblies

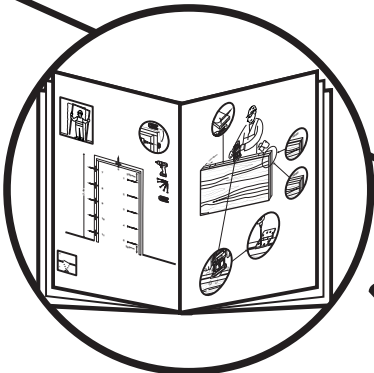
**FORZA FD90(S) FD120(S)**

requirements of The IFC CERTIFICATION LTD scheme that includes the testing of the inspection of Factory Production Control and continuing surveillance audits testing of samples of products taken from production.

Field of application to achieve 90 and 120 minutes integrity are detailed in:

PAR/10918/01	FD90	Forza Doors Ltd Forza House 24A/24C Star Road Trading Estate Partridge Green, Horsham West Sussex RH13 8RA
PAR/10922/01	FD120	

FSC



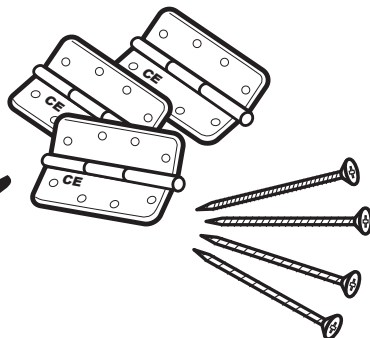
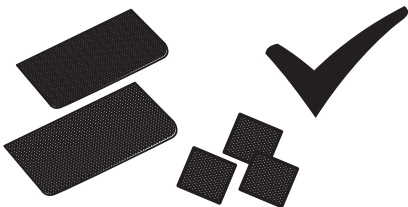
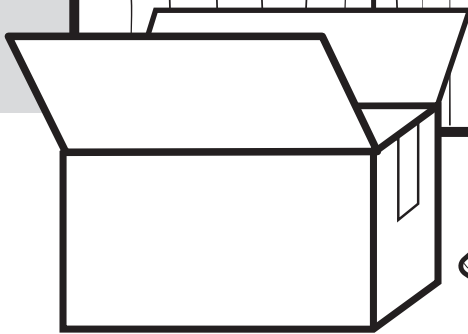
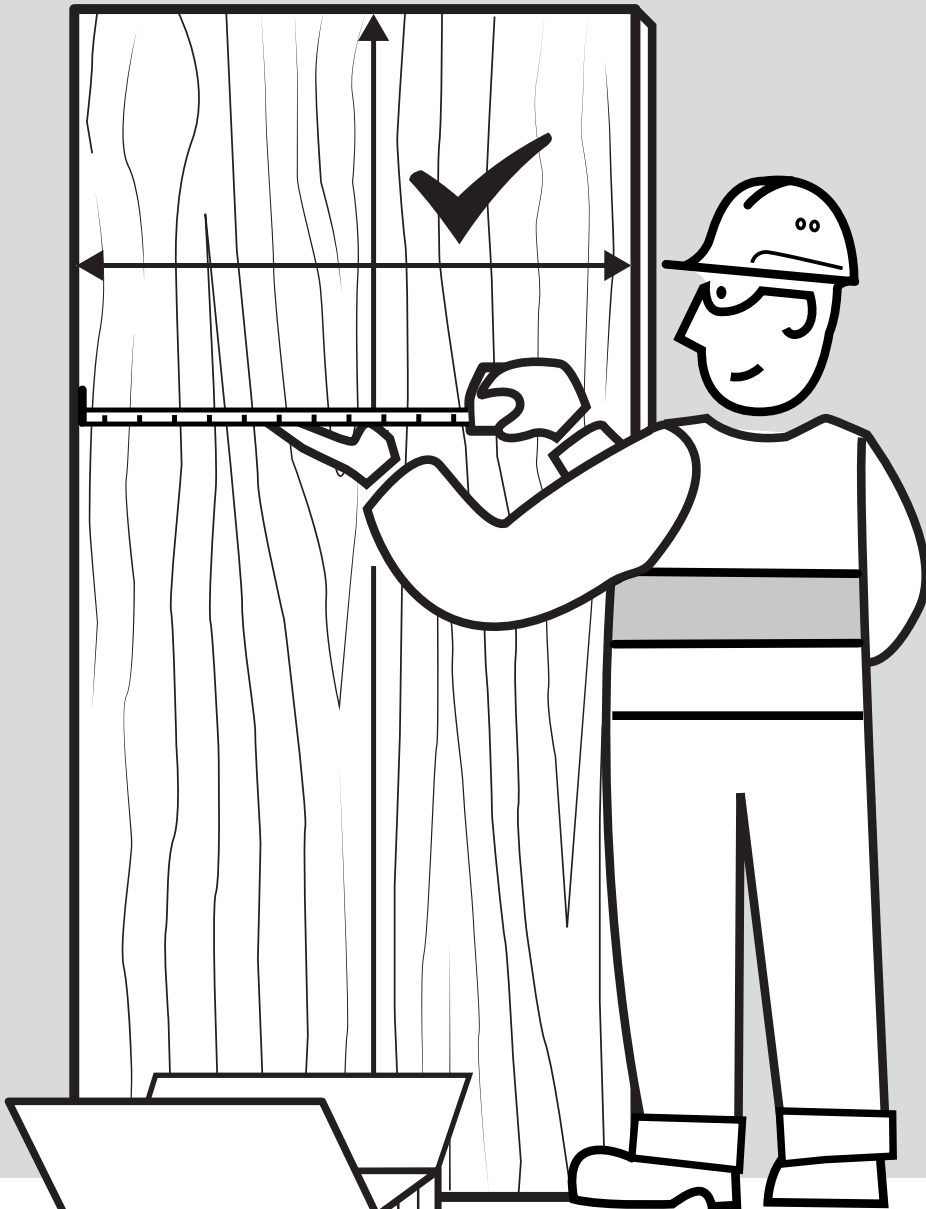
<b>FORZA</b> DOORS & FRAMES	<b>CERTIFICATED FIRE DOOR</b> <small>DO NOT REMOVE THIS LABEL</small>	Forza fire door certification is only valid when the door is installed and maintained in accordance with Forza Doors installation and maintenance guidelines, available at <a href="http://www.forza-doors.com">www.forza-doors.com</a> Forza Doors Tel: 01403 711126	IFC Certification Ltd T: +44 (0)1794 275500 www.ifc-certification.com <b>985512 FD90</b> PART 22 FRTD497
--------------------------------	--	--	---

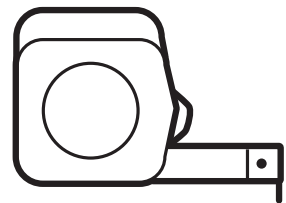
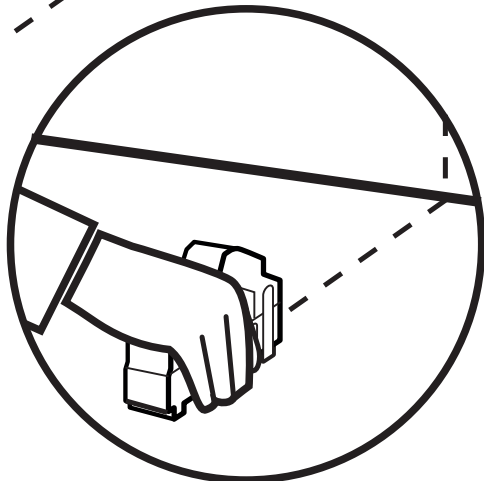
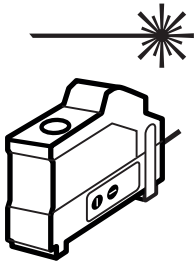
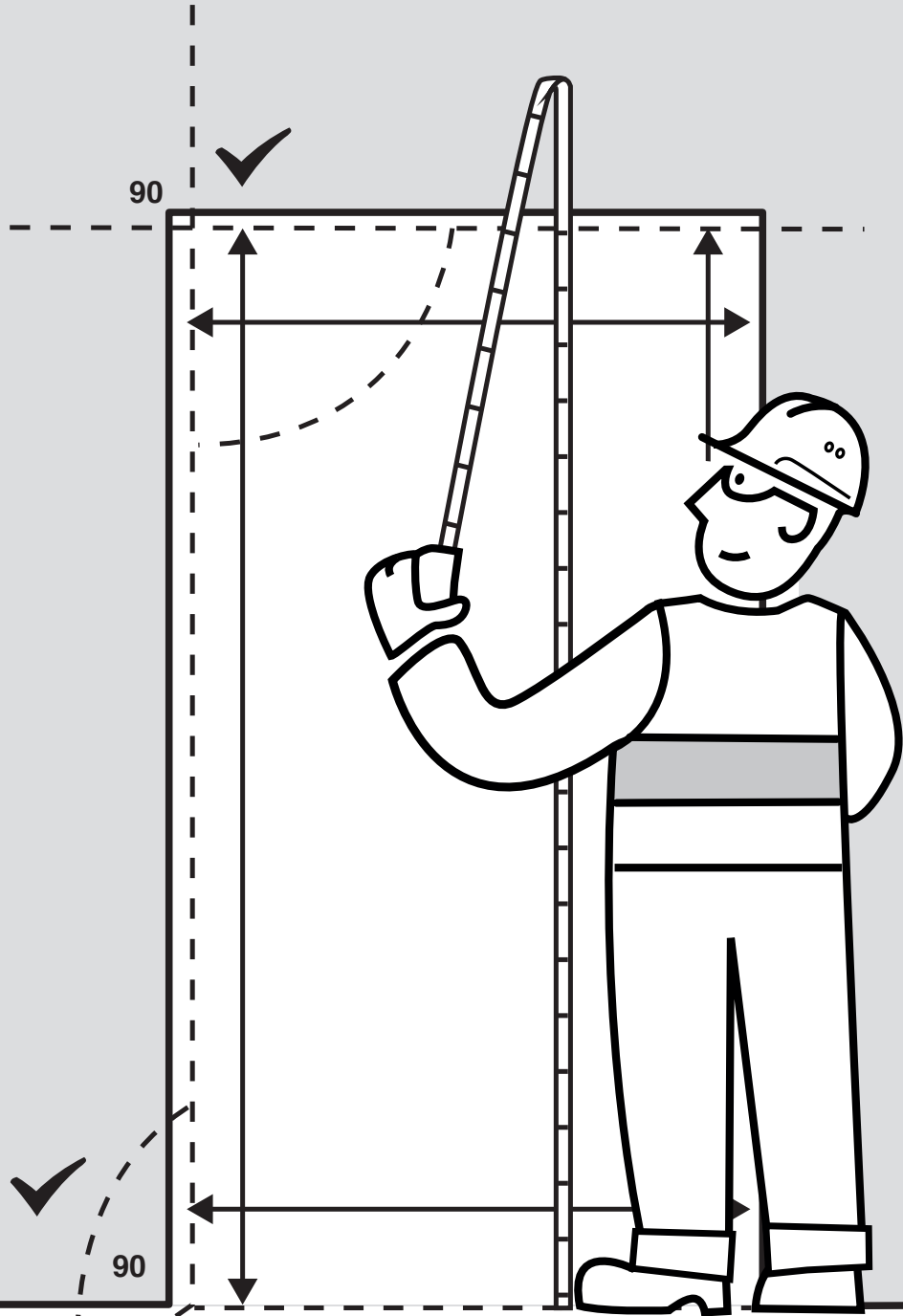
Min 31 x 12 mm  
(FCH Min 31 x 18 mm)

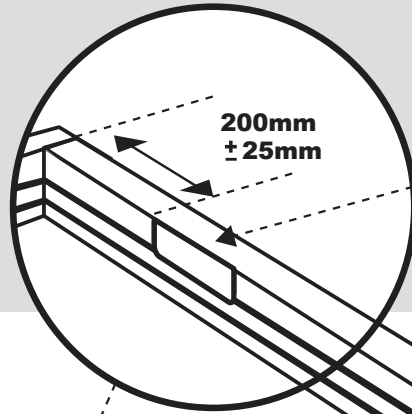
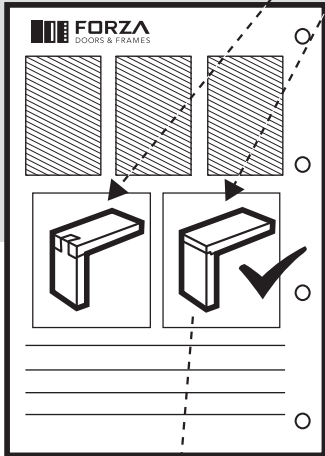
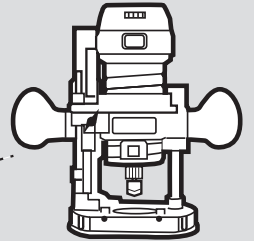
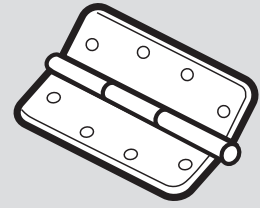
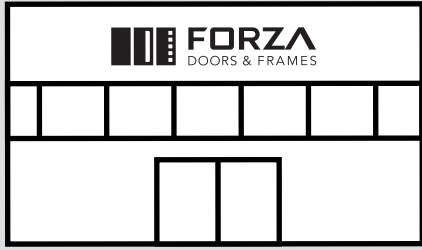
Min 18 x 45 mm

Timber: Min 90 x 44 mm  
Composite: Min 94 x 47 mm

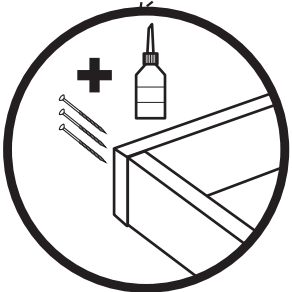
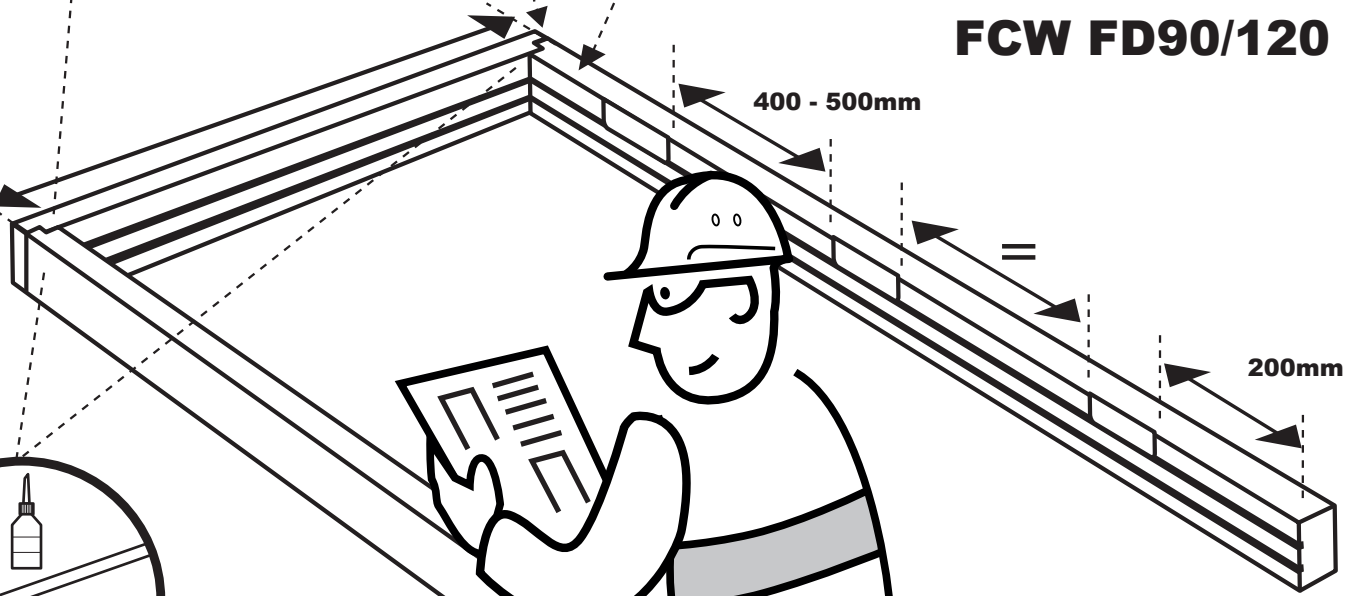
5





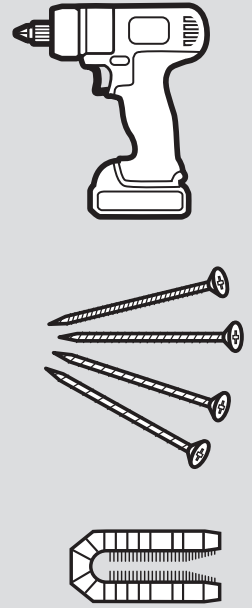
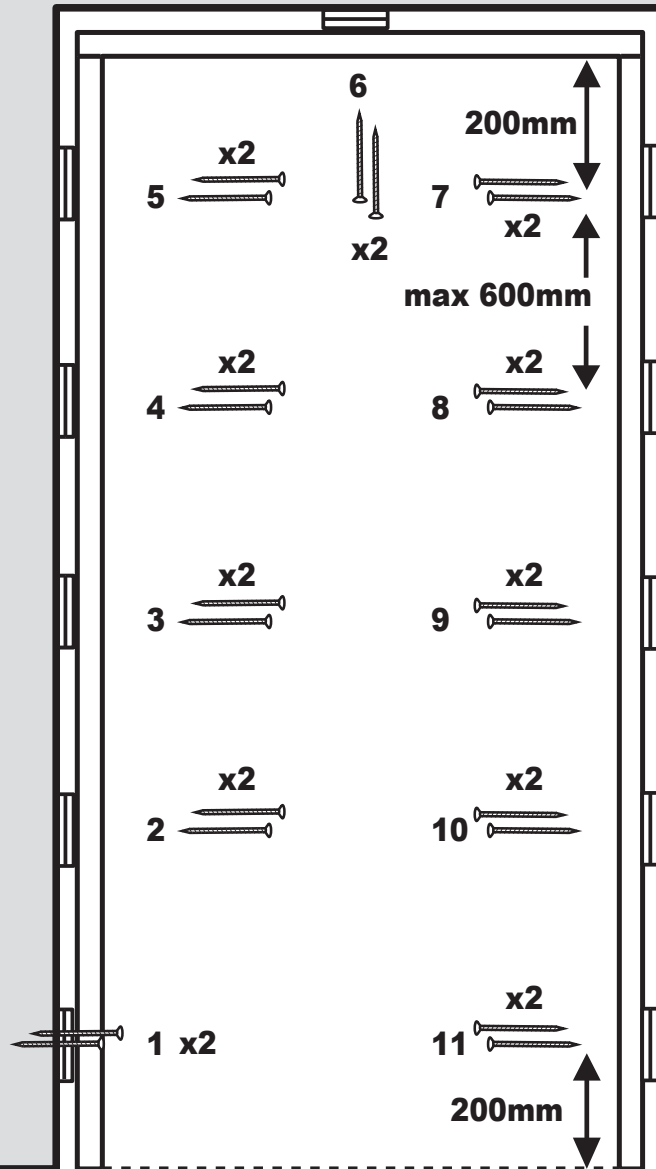
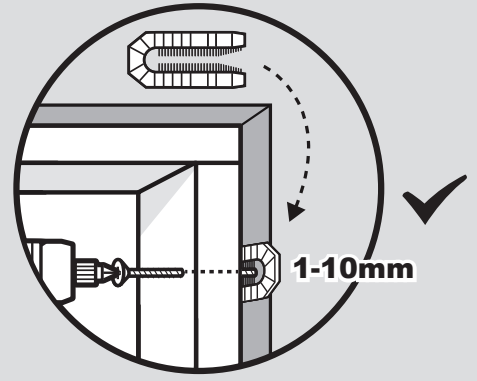
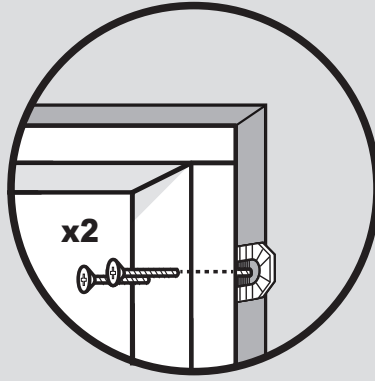
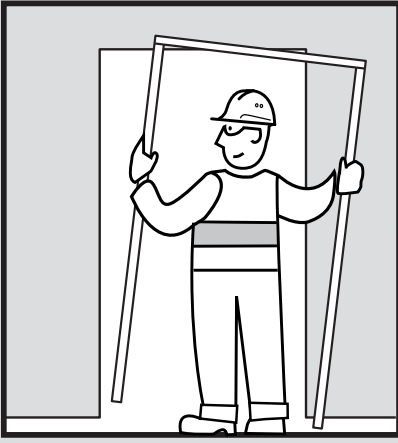


**FCW FD90/120**



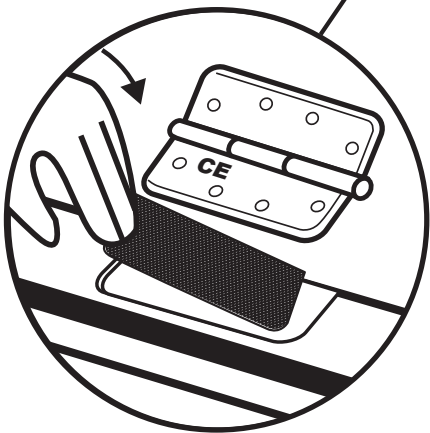
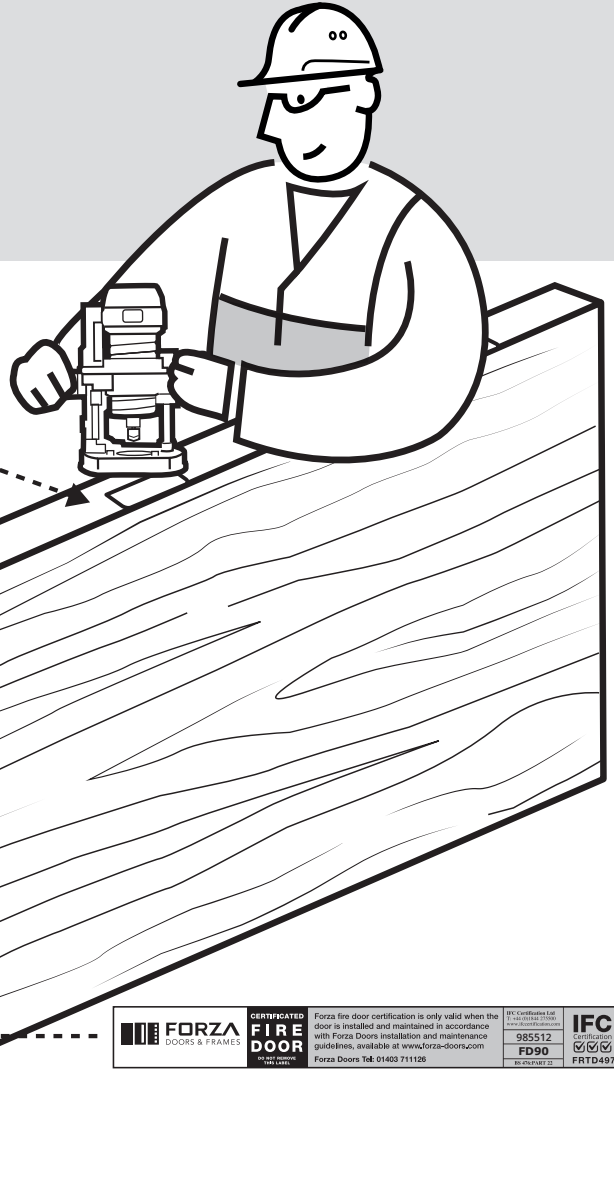
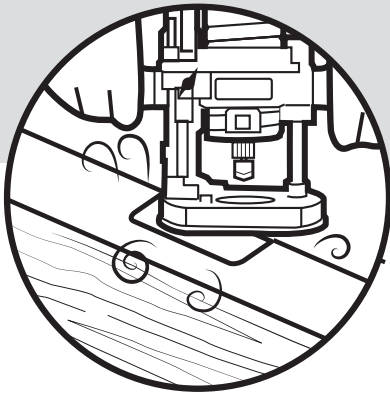
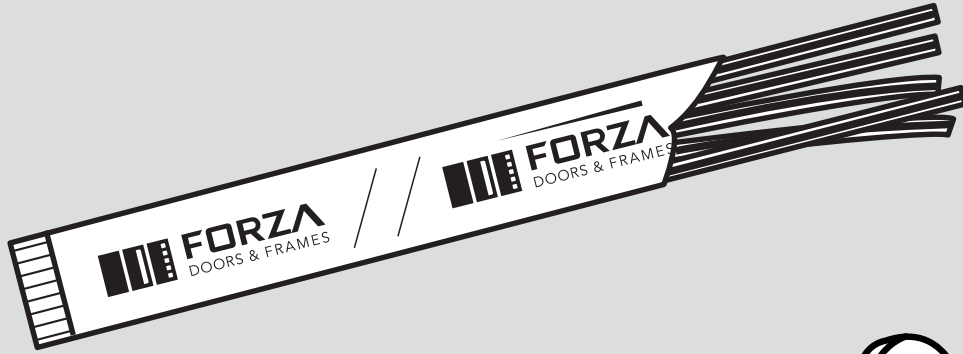
3x		↑	2199 mm
4x		↑	2799 mm
5x		>	2800 mm





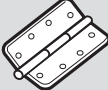




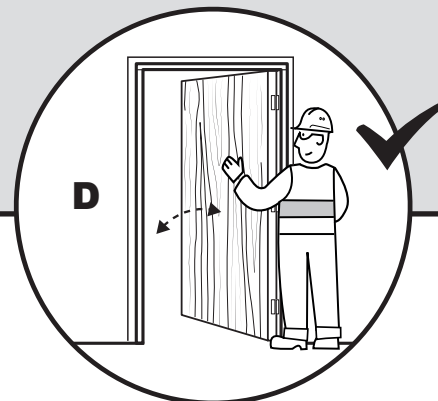
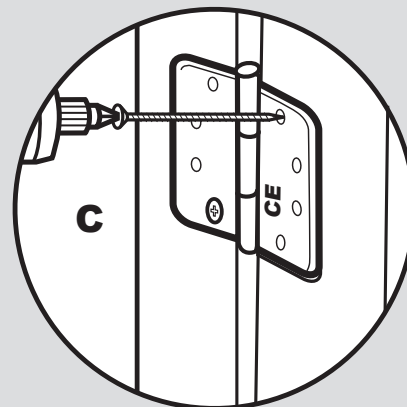
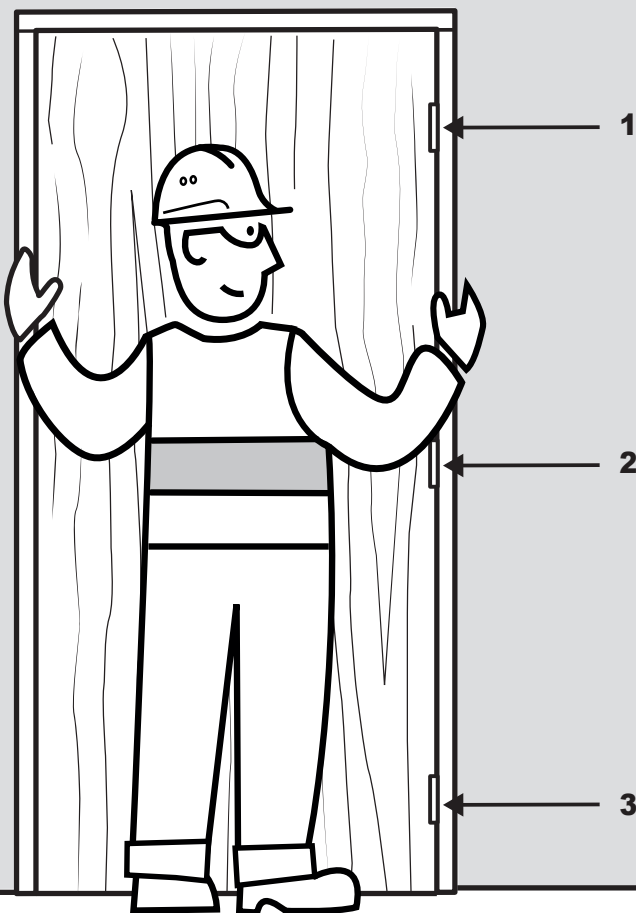


	<b>CERTIFICATED</b>	<b>FIRE DOOR</b>	Forza fire door certification is only valid when the door is installed and maintained in accordance with Forza Doors installation and maintenance guidelines, available at <a href="http://www.forza-doors.com">www.forza-doors.com</a> Forza Doors Tel: 01463 711126	
	<b>FD90</b>			
				<b>IFC</b> Certification FRTD497

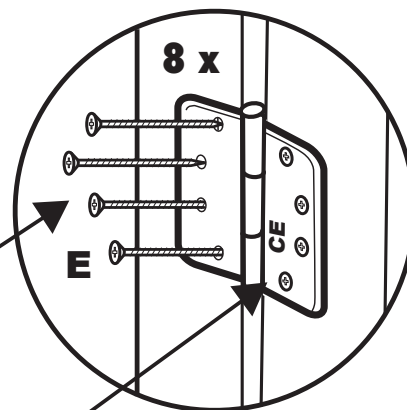
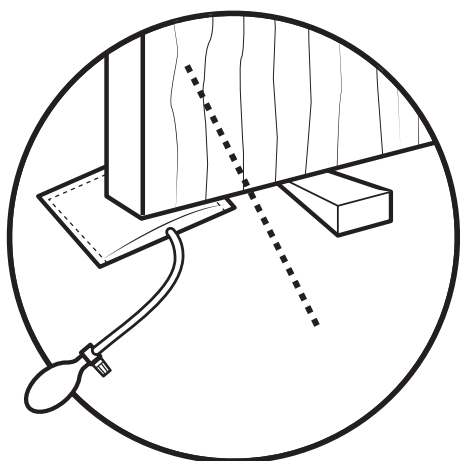
**FCW / FCH FD90/120**

↑ 2199 mm = 3 x 

A



B



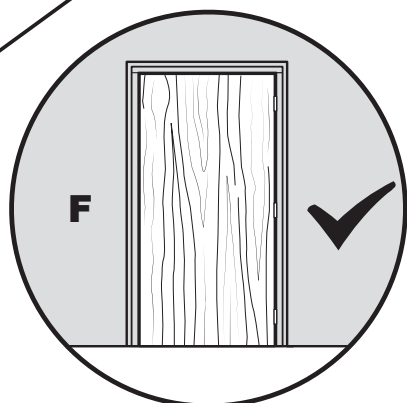
4x

  
Min 32mm x 4mm ✓

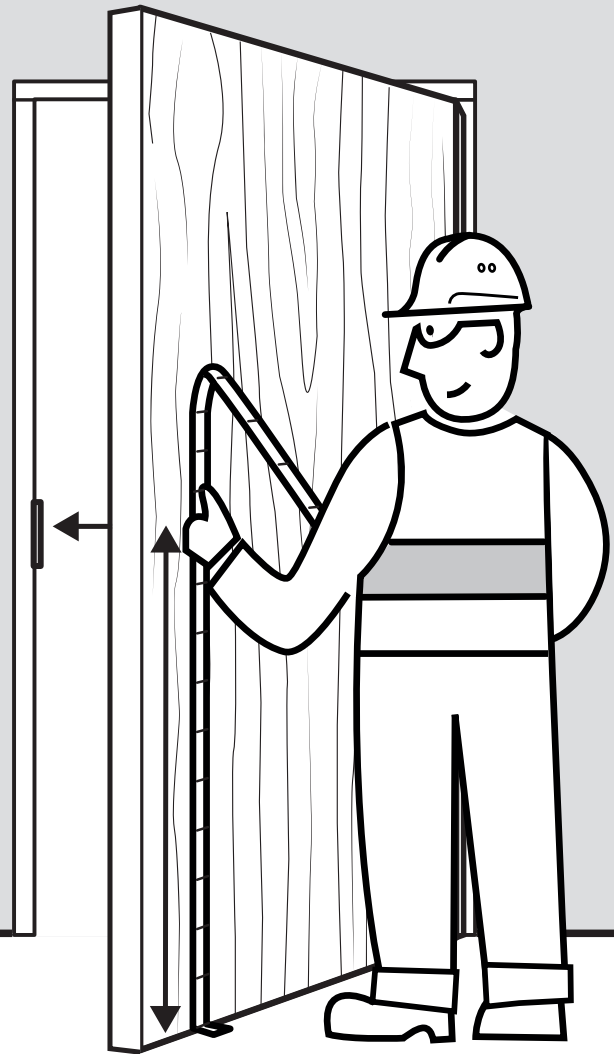
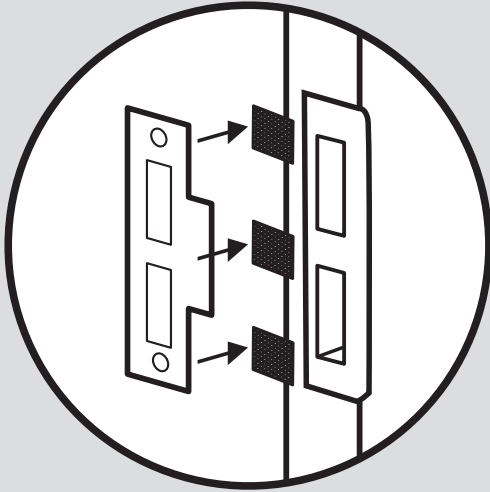


4x

  
Min 50mm x 4mm ✓

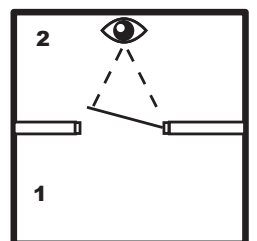
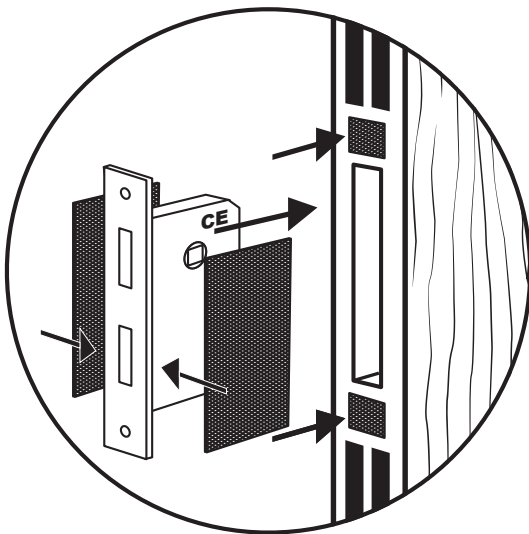


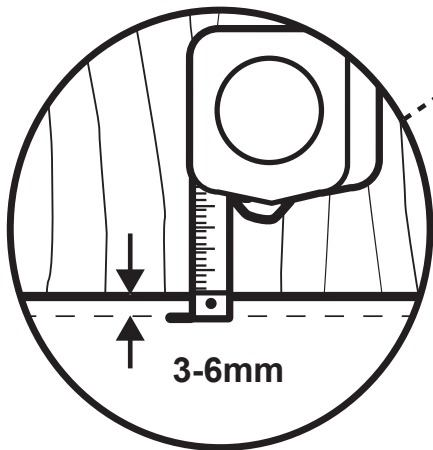
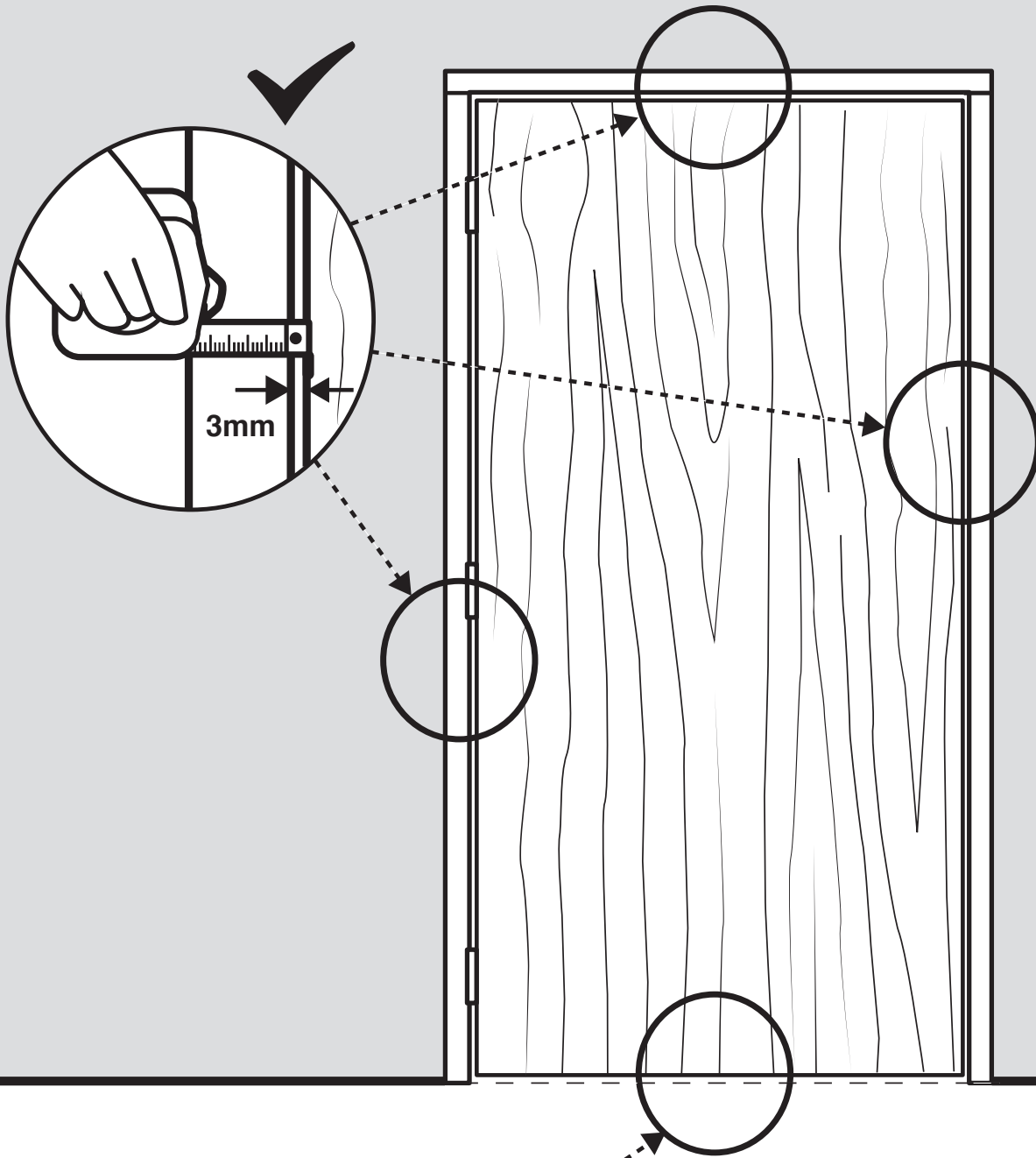
**FD90/120**



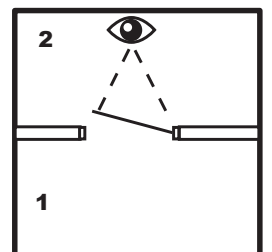
1m  
± 200 mm

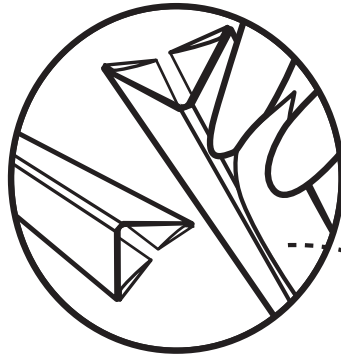
**FD90/120**



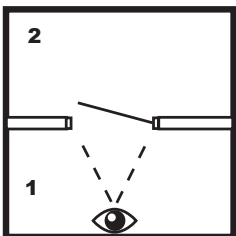
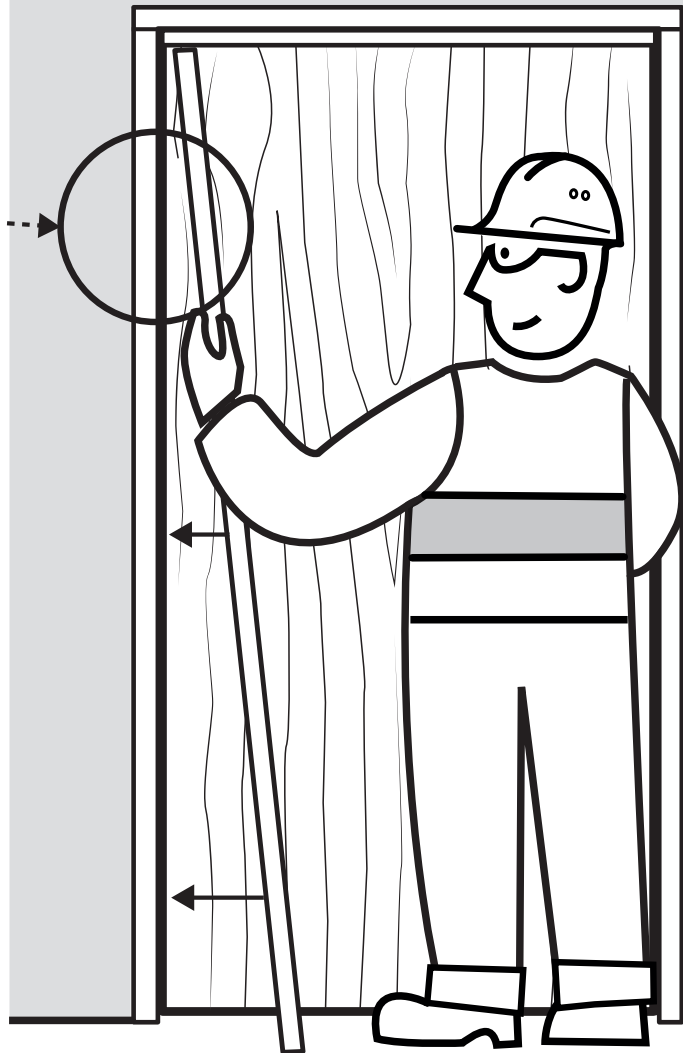
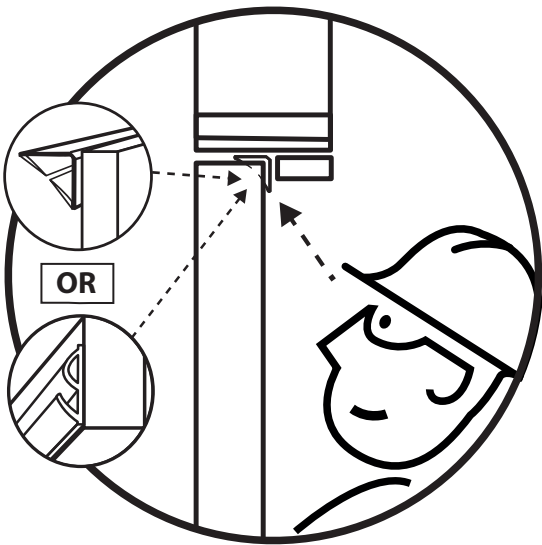
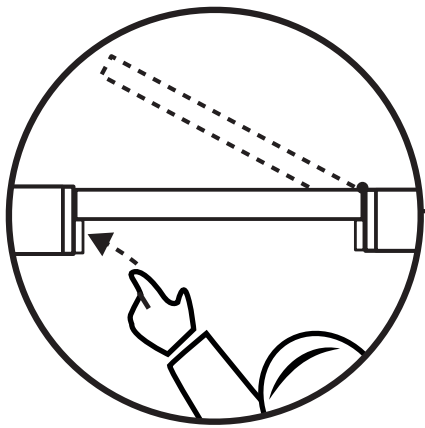
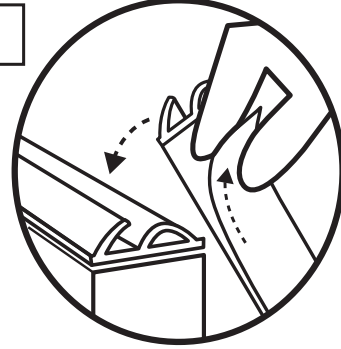


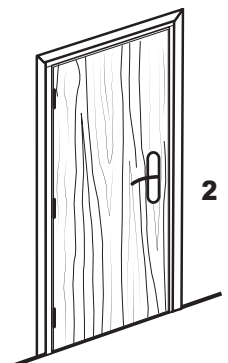
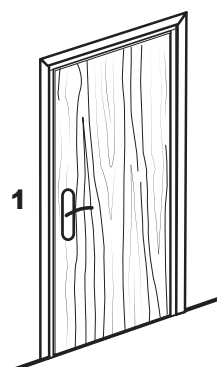
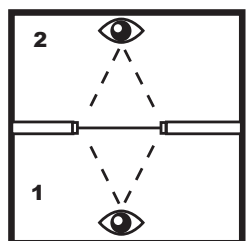
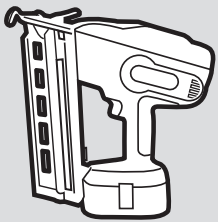
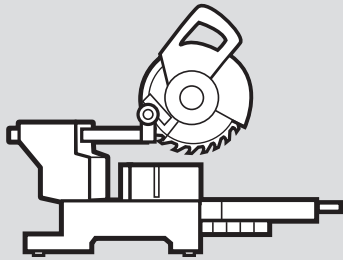
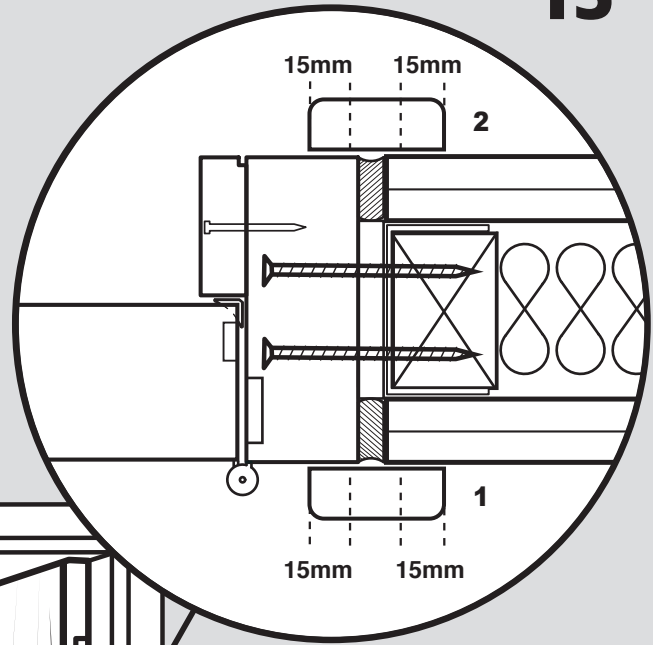
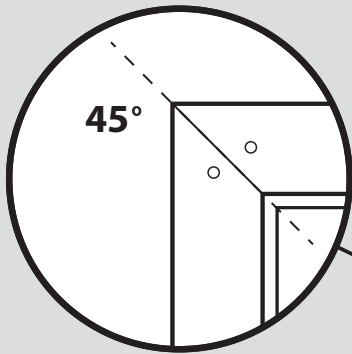
- 3mm = ☁ + 🔥
- ↑ 6mm = 🔥

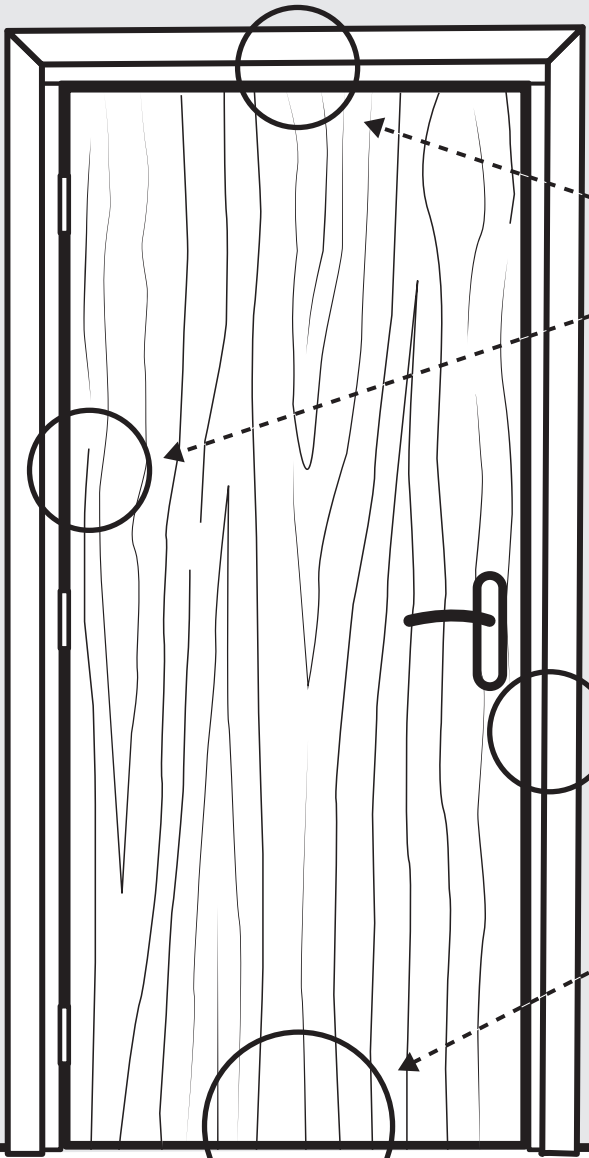




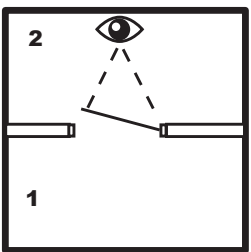
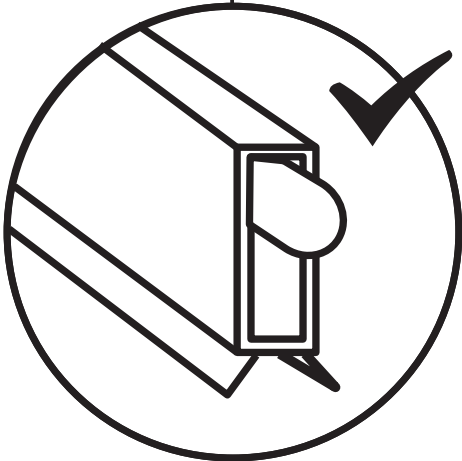
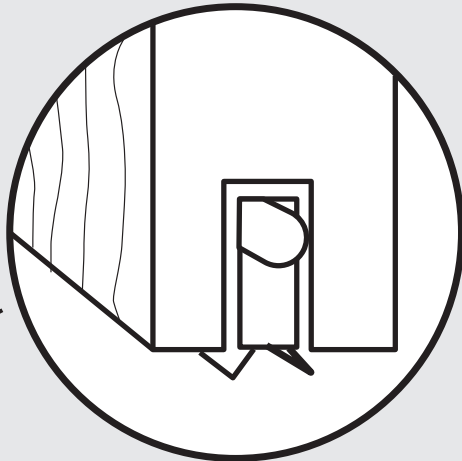
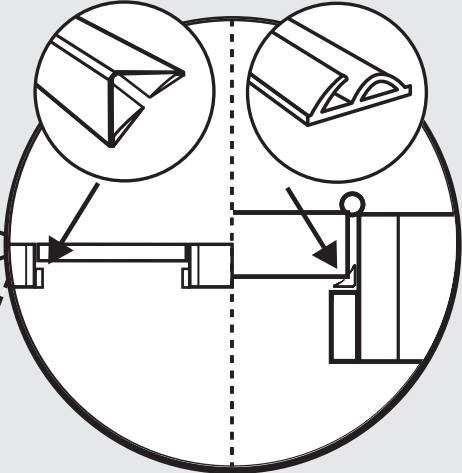
OR







OR

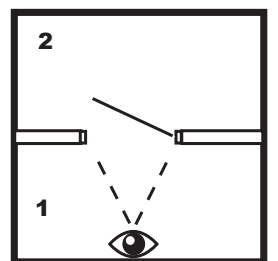
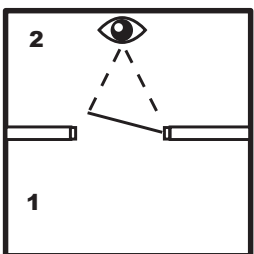
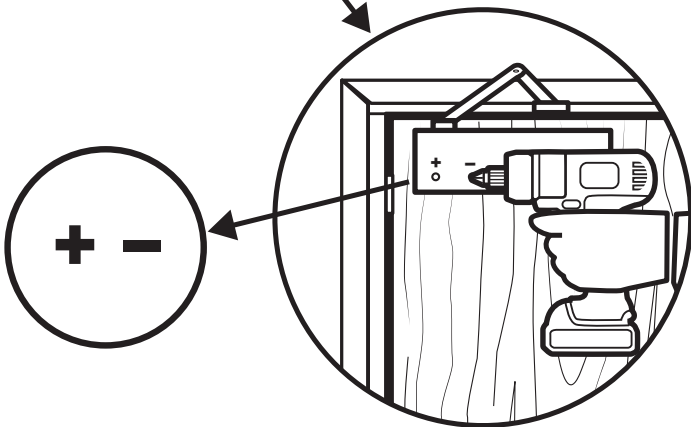
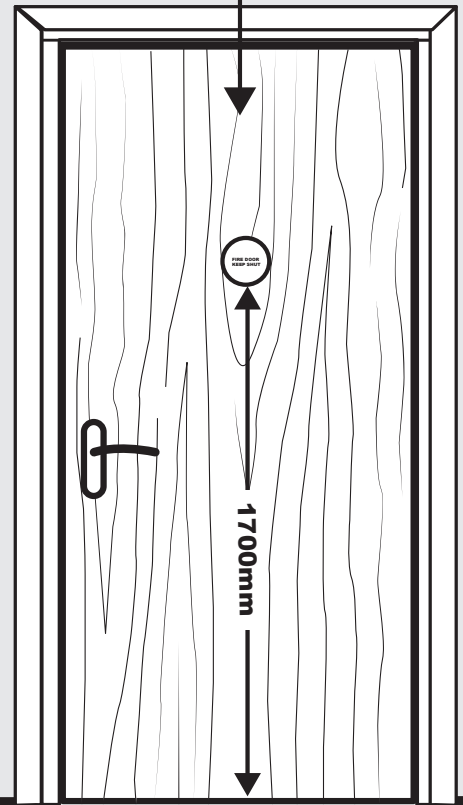
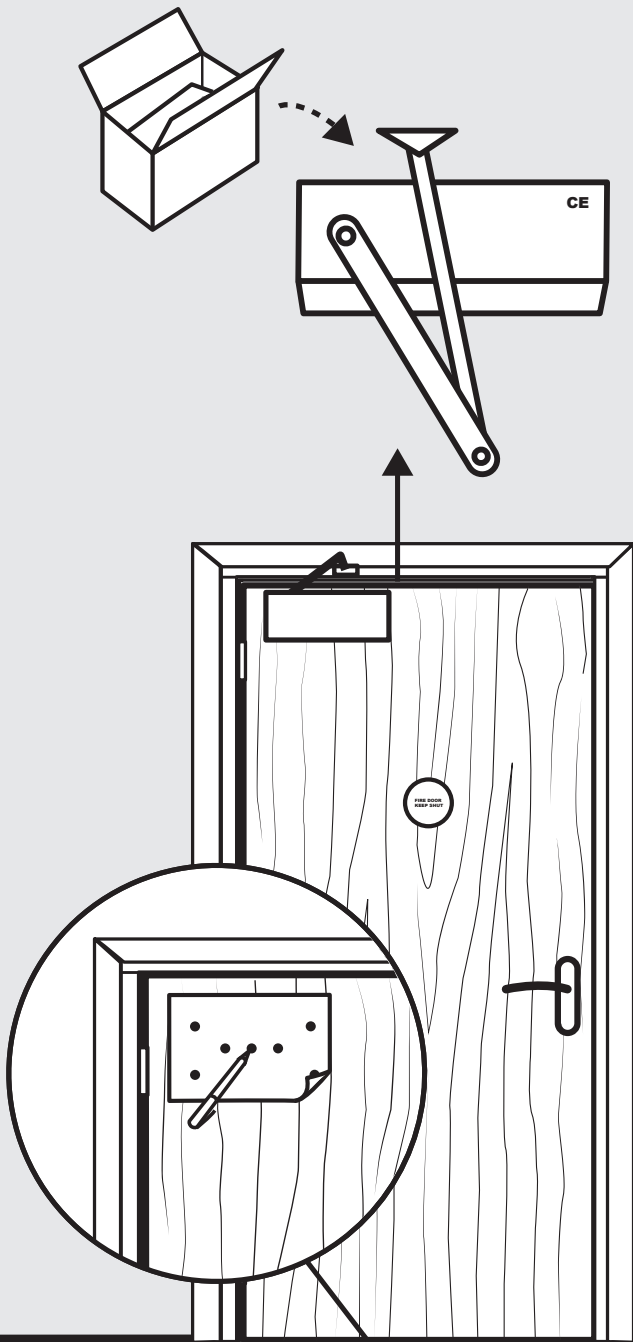


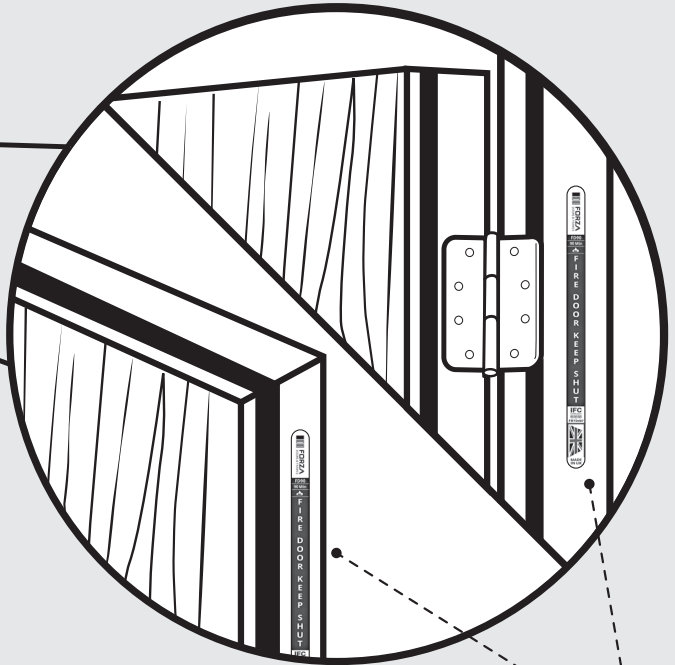
> 3mm



=







**FCH FD90**

**FORZA**  
 DOORS & FRAMES  
**FD90**  
 90 Min  
**FIRE DOOR KEEP SHUT**  
**IFC**  
 Certification  
**FRTD497**  
  
**MADE IN UK**

**FORZA DOORS & FRAMES**

**FRAME & IRONMONGERY INSTALLATION GUIDE - ON REVERSE**

**CERTIFIED FIRE DOOR**  
 IFC  
 FRTD497

**FIRE RESISTANT TIMBER FIRE DOORS & FRAMES**  
 TO BS 476: PART 22 : 1987 - PRODUCT CERTIFICATE NO. FRTD497

This product certificate certifies that FORZA DOORS LTD Manufacture in the UK the following fire doors and door assemblies FORZA FD90(S) FD120(S)

and have satisfied the requirements of the IFC CERTIFICATION LTD scheme that includes the testing of products to BS476: Part 22, the inspection of Factory Production Control and continuing surveillance audits and testing of samples of products taken from production.

The product specification and field of application to achieve 90 and 120 minutes integrity are detailed in:

IFC Schedule Ref: PNR/10918/01 FD90  
 Schedule Ref: PNR/10922/01 FD120

FORZA Doors Ltd  
 Forza House  
 29/30C Blue Road Trading Estate  
 Northridge Green, Humberston  
 Leeds LS11 5BA

**CONTRACTORS INSTALLATION STATEMENT**  
 The FORZA FIRE DOOR No. \_\_\_\_\_  
 has been installed in accordance with the Forza Installation Guide (see reverse) by the trained installation team of:  
 Company: \_\_\_\_\_ To the Project of works Ref No: \_\_\_\_\_  
 At: \_\_\_\_\_  
 Signed: \_\_\_\_\_ Date: \_\_\_\_\_

**FIRE CERTIFICATE - PLACE IN BUILDING FIRE SAFETY MANUAL**

**CORRECT INSTALLATION CHECKLIST - MUST BE OBSERVED!**

- 1. Frame to wall gaps /packing /gap sealant
- 2. Hinges/Pivots position & no rubbing screens
- 3. Door to Frame & Threshold gaps
- 4. Fire seals (Intumescent) in position
- 5. Smoke seals (if required) allow door to shut and fill all gaps
- 6. Lockset engages/releases
- 7. Closer suitably adjusted to close door
- 8. "Firedoor Keep Shut" signs visible on door or frame

FORZA FIRE DOOR LABEL AFFIX TO DOOR OR FRAME ON INSTALL

Tel: 01403 711126 Email: info@forza-doors.com Web: www.forza-doors.com

**FORZA DOORS & FRAMES**

**FRAME & IRONMONGERY INSTALLATION GUIDE - ON REVERSE**

**CERTIFIED FIRE DOOR**  
 IFC  
 FRTD497

**FIRE RESISTANT TIMBER FIRE DOORS & FRAMES**  
 TO BS 476: PART 22 : 1987 - PRODUCT CERTIFICATE NO. FRTD497

This product certificate certifies that FORZA DOORS LTD Manufacture in the UK the following fire doors and door assemblies FORZA FD90(S) FD120(S)

and have satisfied the requirements of the IFC CERTIFICATION LTD scheme that includes the testing of products to BS476: Part 22, the inspection of Factory Production Control and continuing surveillance audits and testing of samples of products taken from production.

The product specification and field of application to achieve 90 and 120 minutes integrity are detailed in:

IFC Schedule Ref: PNR/10918/01 FD90  
 Schedule Ref: PNR/10922/01 FD120

FORZA Doors Ltd  
 Forza House  
 29/30C Blue Road Trading Estate  
 Northridge Green, Humberston  
 Leeds LS11 5BA

**CONTRACTORS INSTALLATION STATEMENT**  
 The FORZA FIRE DOOR No. \_\_\_\_\_  
 has been installed in accordance with the Forza Installation Guide (see reverse) by the trained installation team of:  
 Company: \_\_\_\_\_ To the Project of works Ref No: \_\_\_\_\_  
 At: \_\_\_\_\_  
 Signed: \_\_\_\_\_ Date: \_\_\_\_\_

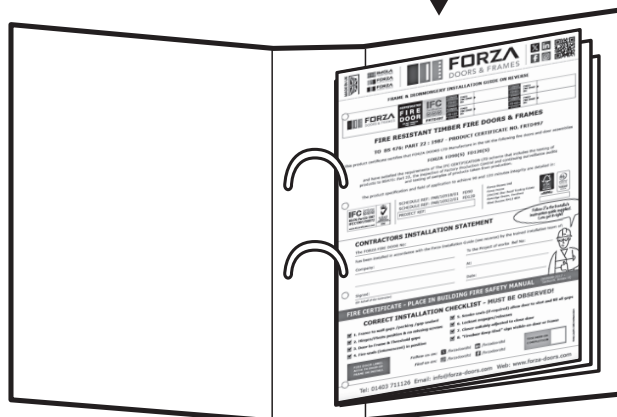
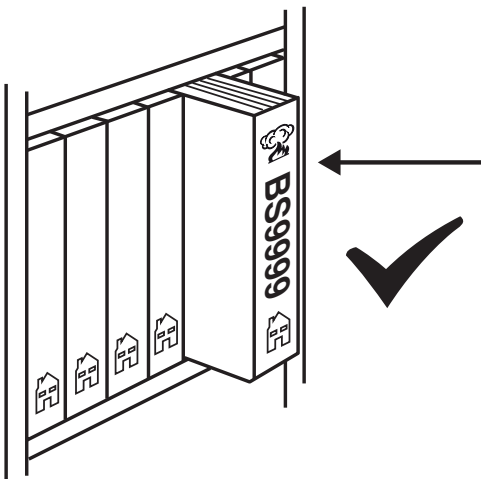
**FIRE CERTIFICATE - PLACE IN BUILDING FIRE SAFETY MANUAL**

**CORRECT INSTALLATION CHECKLIST - MUST BE OBSERVED!**

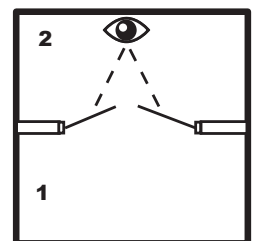
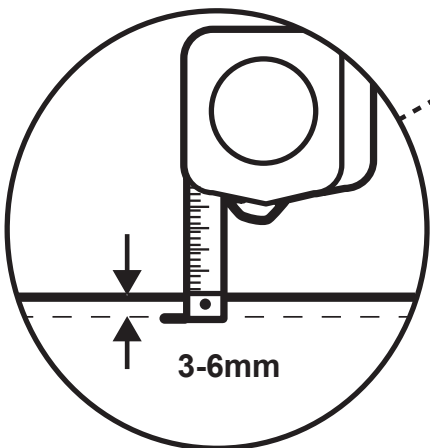
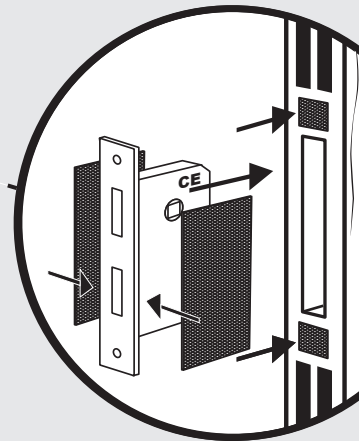
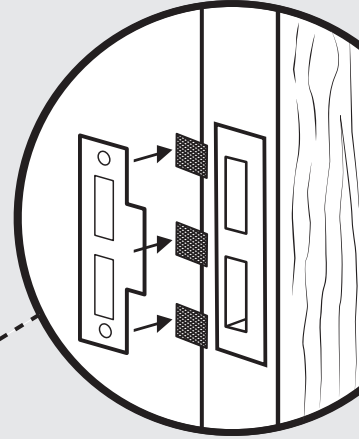
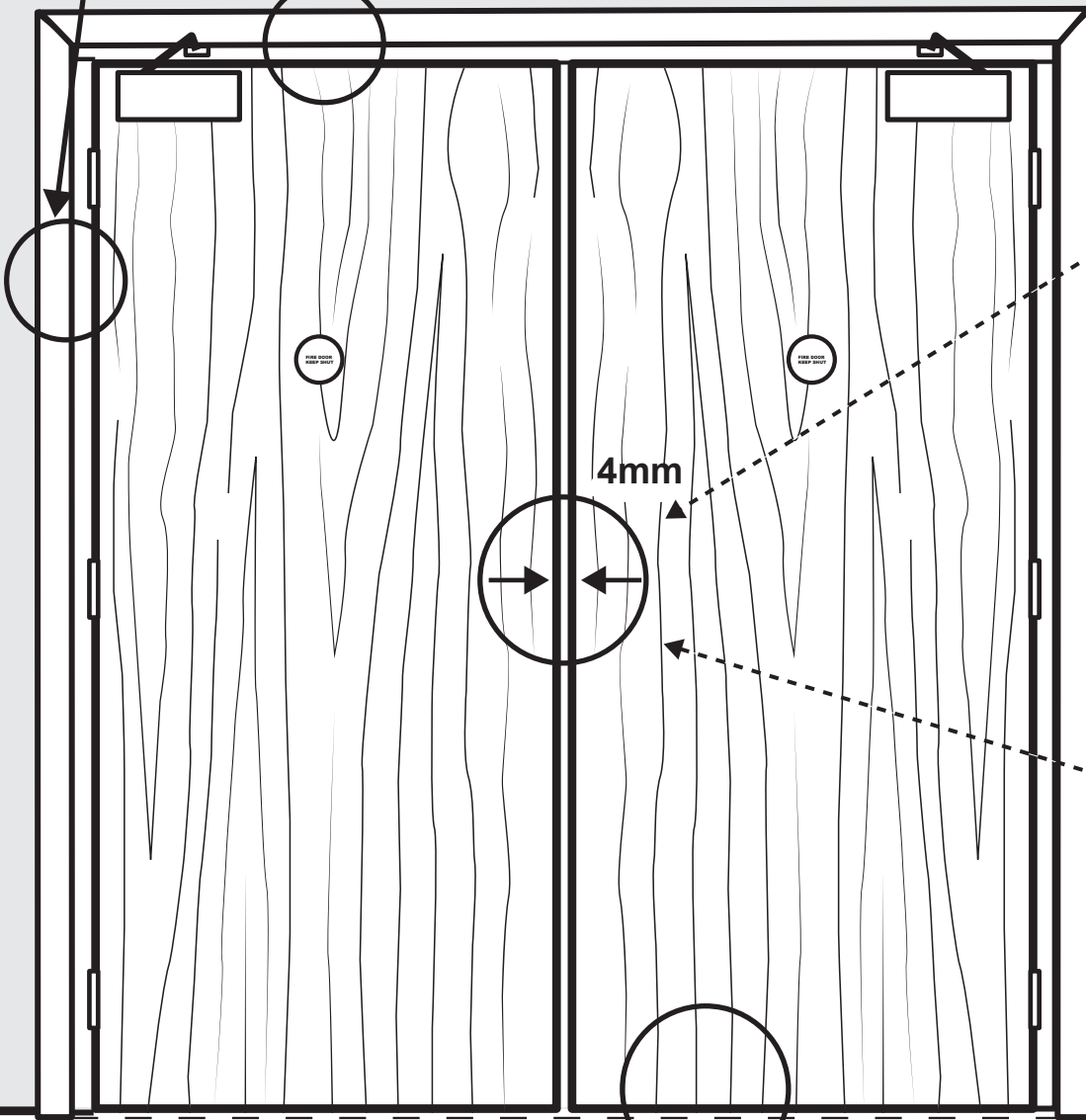
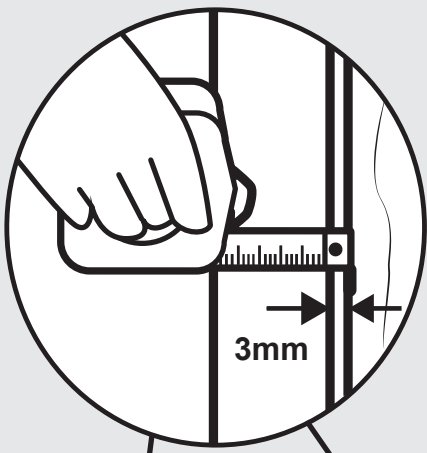
- 1. Frame to wall gaps /packing /gap sealant
- 2. Hinges/Pivots position & no rubbing screens
- 3. Door to Frame & Threshold gaps
- 4. Fire seals (Intumescent) in position
- 5. Smoke seals (if required) allow door to shut and fill all gaps
- 6. Lockset engages/releases
- 7. Closer suitably adjusted to close door
- 8. "Firedoor Keep Shut" signs visible on door or frame

FORZA FIRE DOOR LABEL AFFIX TO DOOR OR FRAME ON INSTALL

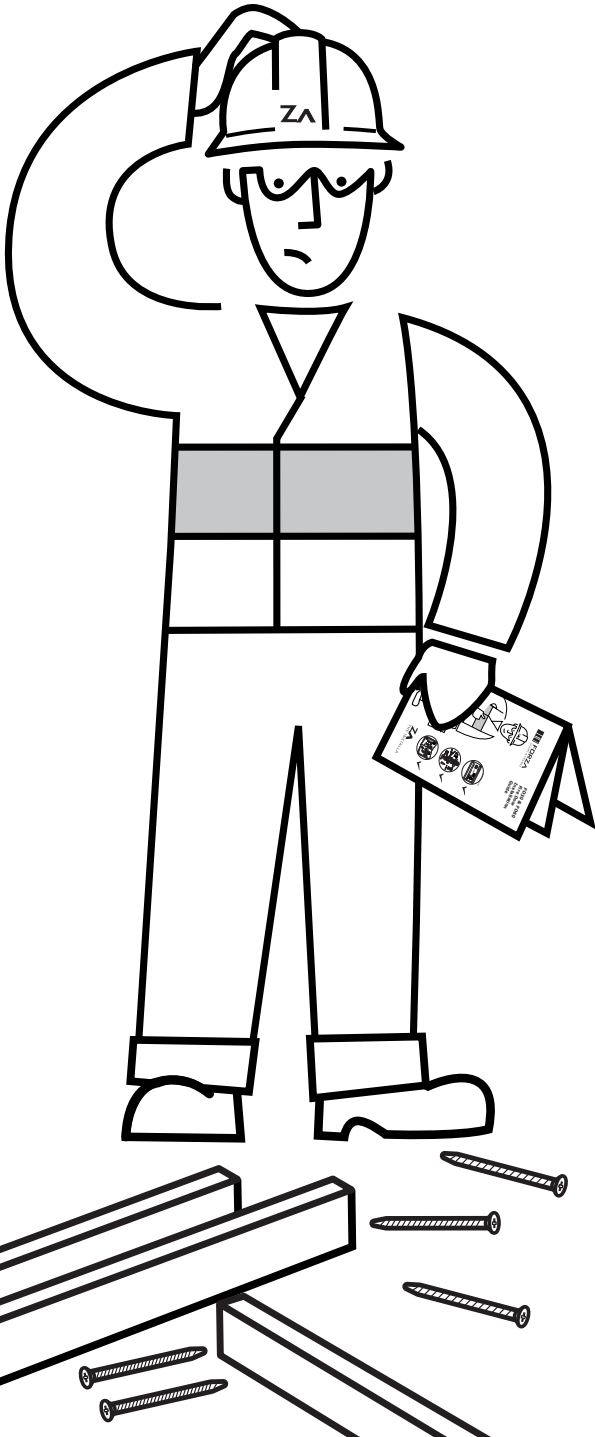
Tel: 01403 711126 Email: info@forza-doors.com Web: www.forza-doors.com



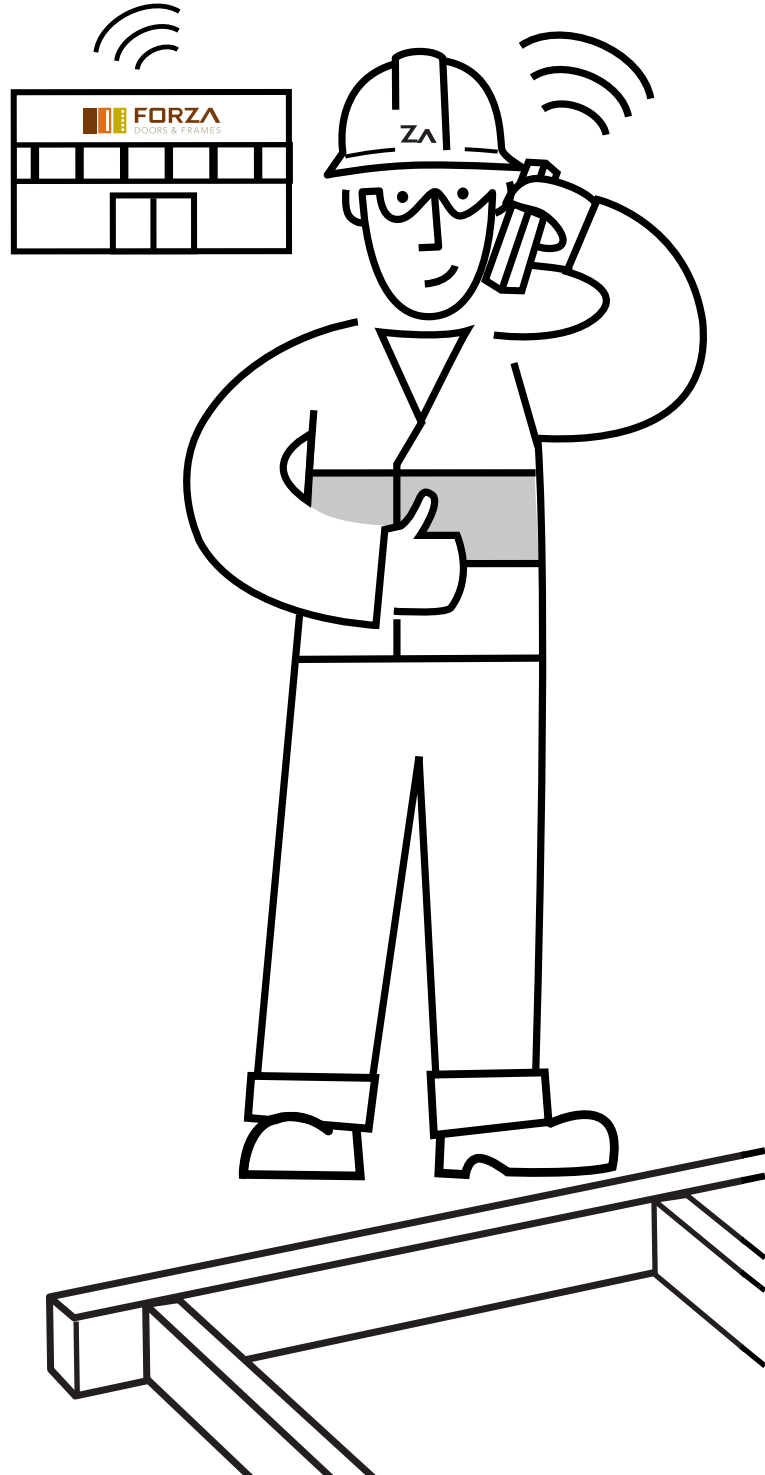
**FD90**  
**FD120 (FCW Only)**



?



!



Design right / copyright in this document belongs to Forza Doors Ltd and may not be copied, or reproduced in anyway without prior permission.

**Tel: 01403 711126**

**Email: [za@forza-doors.com](mailto:za@forza-doors.com)**

**Web: [www.forza-doors.com](http://www.forza-doors.com)**