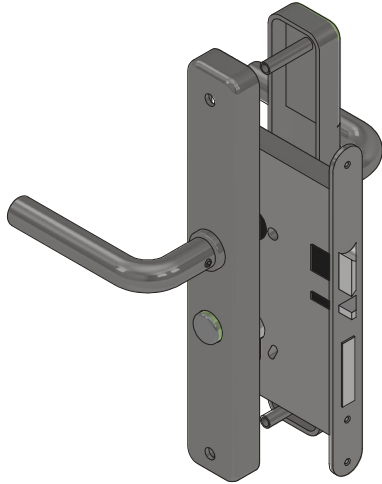


# SALTO XS4 ONE FD60

## EX7XX XS4 LE7 & LE8

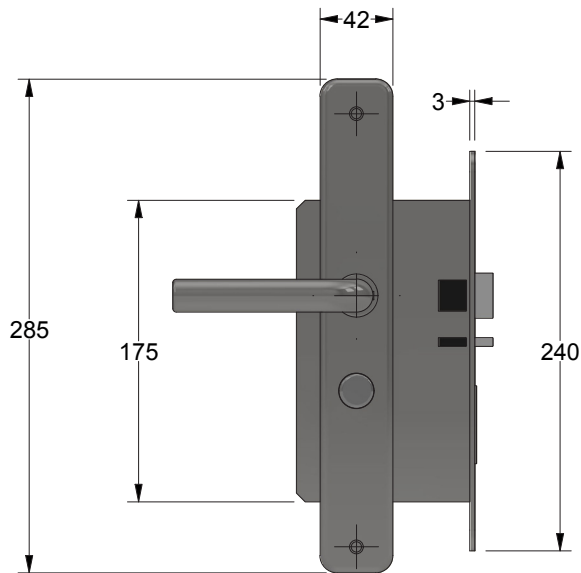
Isometric



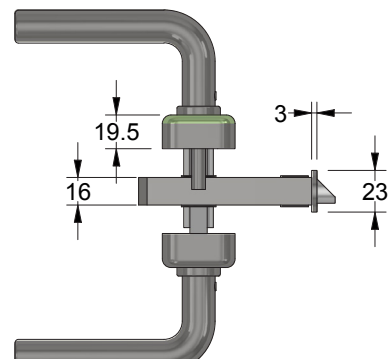
Perspective



Plan



Front



forza-doors.com  
 01403 711 126  
 sales@forza-doors.com

TITLE Salto XS4 ONE FD60  
 CODE Ex7xx XS4 LE7 & LE8

SHEET 1 of 2  
 DATE 29/01/2024  
 ISSUE 1  
 DWG No. FZD5555

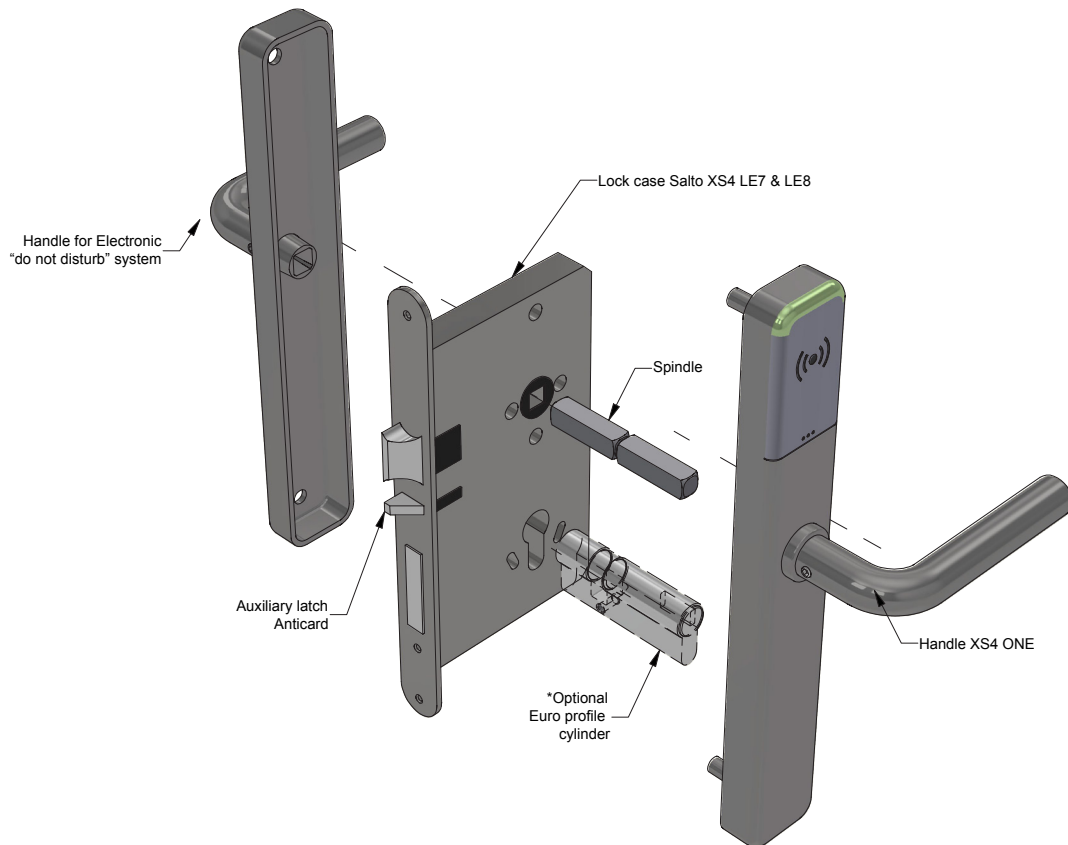
DOOR Timber Particle Board 54mm FCH; FCS

Additional protection 1.2mm thick intumescent around the lock body, behind forend and strike plate may be installed at either face of assembly.

# SALTO XS4 ONE FD60

## EX7XX XS4 LE7 & LE8

Exploded View



\*Lock Details For Illustrative Purpose Only.



forza-doors.com  
01403 711 126  
sales@forza-doors.com

TITLE	Salto XS4 ONE FD60
CODE	Ex7xx XS4 LE7 & LE8
SHEET	2 of 2
DATE	29/01/2024
ISSUE	1
DWG No.	FZD5555

DOOR Timber Particle Board 54mm FCH; FCS

Additional protection 1.2mm thick intumescent around the lock body, behind forend and strike plate may be installed at either face of assembly.