

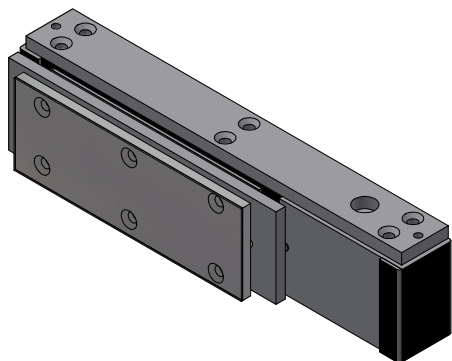
Face Fix Mag Lock - FD30

© Forza Doors Ltd 2024

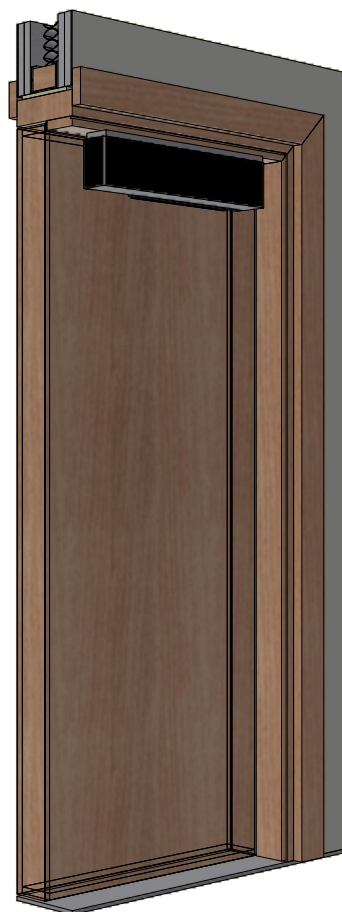
t: 01403 711126 e: sales@forza-doors.com

Design Right/ Copyright in this drawing belongs to Forza. Neither the whole drawing nor part thereof may be reproduced without the prior permission in writing of Forza.

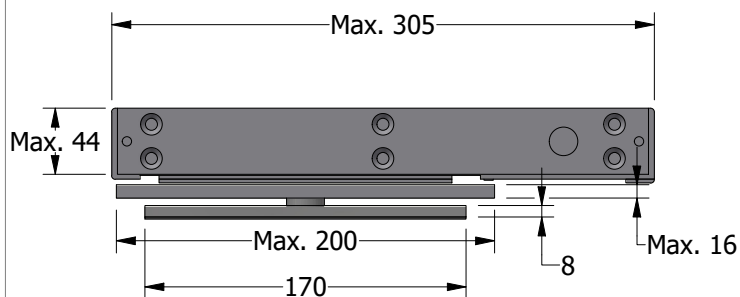
Isometric



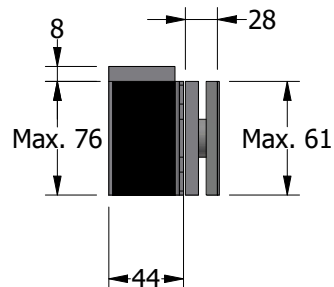
Perspective



Plan



Front



Specification

Door: Timber Particle Board 44 & 54mm

L & Z Brackets can be used

Can be applied to either face

Armature Plate to be positioned (min) 70mm from edge of leaf & (min) 10mm from head of leaf

Title Face Fix Mag Lock - FD30

Code

Sheet 1 of 3 Date 24/04/2024

Issue 2 Dwg No FZD5124

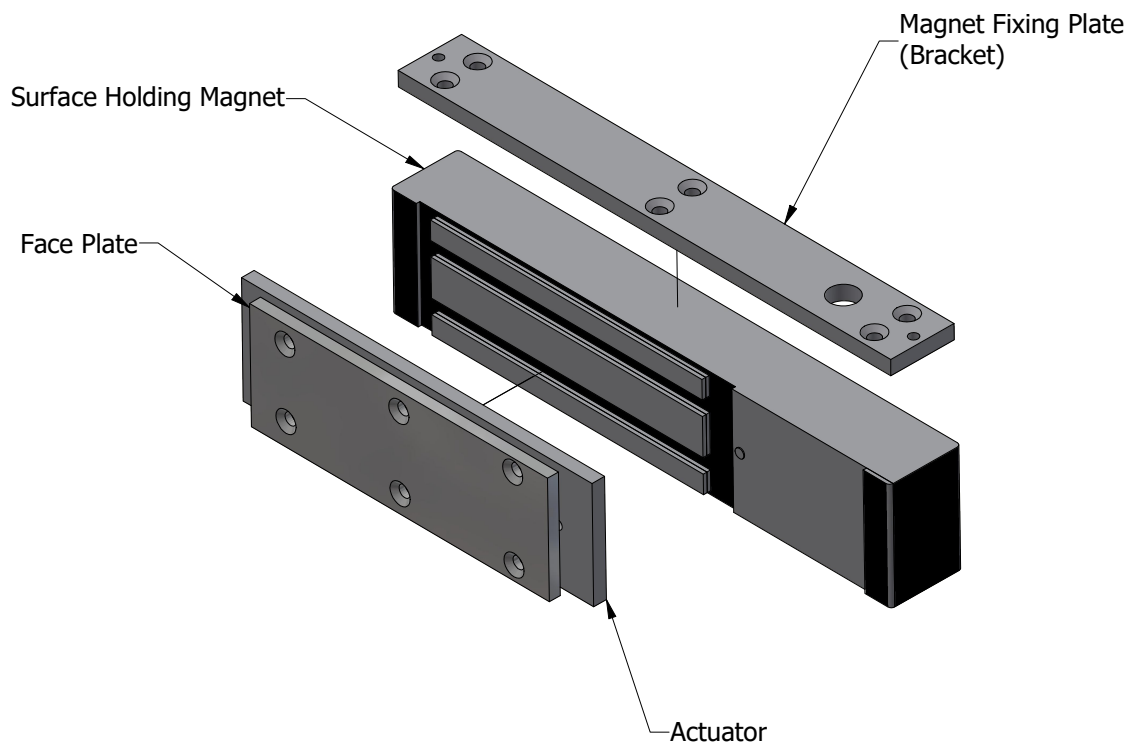
Face Fix Mag Lock - FD30

© Forza Doors Ltd 2024

t: 01403 711126 e: sales@forza-doors.com

Design Right/ Copyright in this drawing belongs to Forza. Neither the whole drawing nor part thereof may be reproduced without the prior permission in writing of Forza.

Exploded View



*Lock Details For Illustrative Purpose Only.

Specification

Door: Timber Particle Board 44 & 54mm

L & Z Brackets can be used

Can be applied to either face

Armature Plate to be positioned (min) 70mm from edge of leaf & (min) 10mm from head of leaf

Title Face Fix Mag Lock - FD30

Code

Sheet 2 of 3

Date 24/04/2024

Issue 2

Dwg No FZD5124

Face Fix Mag Lock - FD30

© Forza Doors Ltd 2024

t: 01403 711126 e: sales@forza-doors.com

Design Right/ Copyright in this drawing belongs to Forza. Neither the whole drawing nor part thereof may be reproduced without the prior permission in writing of Forza.

Installation Details



*Outward opening using flat mounting plate

*Lock Details For Illustrative Purpose Only Follow Manufacturer Installation Details

Specification

Door: Timber Particle Board 44 & 54mm

L & Z Brackets can be used

Can be applied to either face

Armature Plate to be positioned (min) 70mm from edge of leaf & (min) 10mm from head of leaf

Title Face Fix Mag Lock - FD30

Code

Sheet 3 of 3

Date 24/04/2024

Issue 2

Dwg No FZD5124