

ASSA ABLOY EL 560/561/562/563

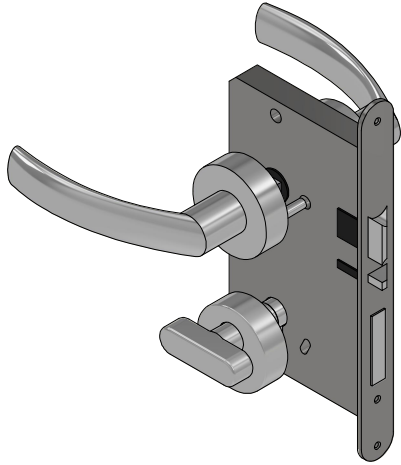
FD30 Electric Solenoid Lock

© Forza Doors Ltd 2024

t: 01403 711126 e: sales@forza-doors.com

Design Right/ Copyright in this drawing belongs to Forza. Neither the whole drawing nor part thereof may be reproduced without the prior permission in writing of Forza.

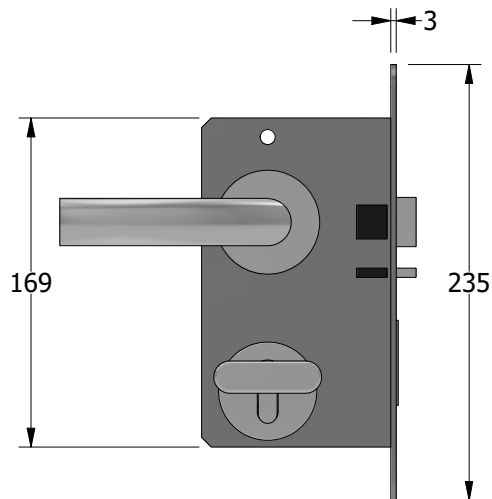
Isometric



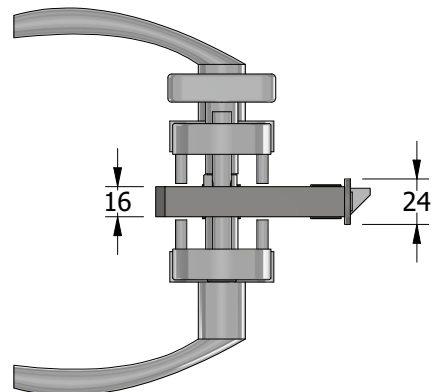
Perspective



Plan



Front



Specification

Door: Timber Particle Board 44 & 54mm
FCE; FCS; FCH

1mm thick MAP intumescent Protection to all faces of latch body & rear of forends & strike.

Title ASSA ABLOY EL 560/561/562/563

Code FD30 Electric Solenoid Lock

Sheet 1 of 2 Date 29/01/2024

Issue 2 Dwg No FZD5127

ASSA ABLOY EL 560/561/562/563

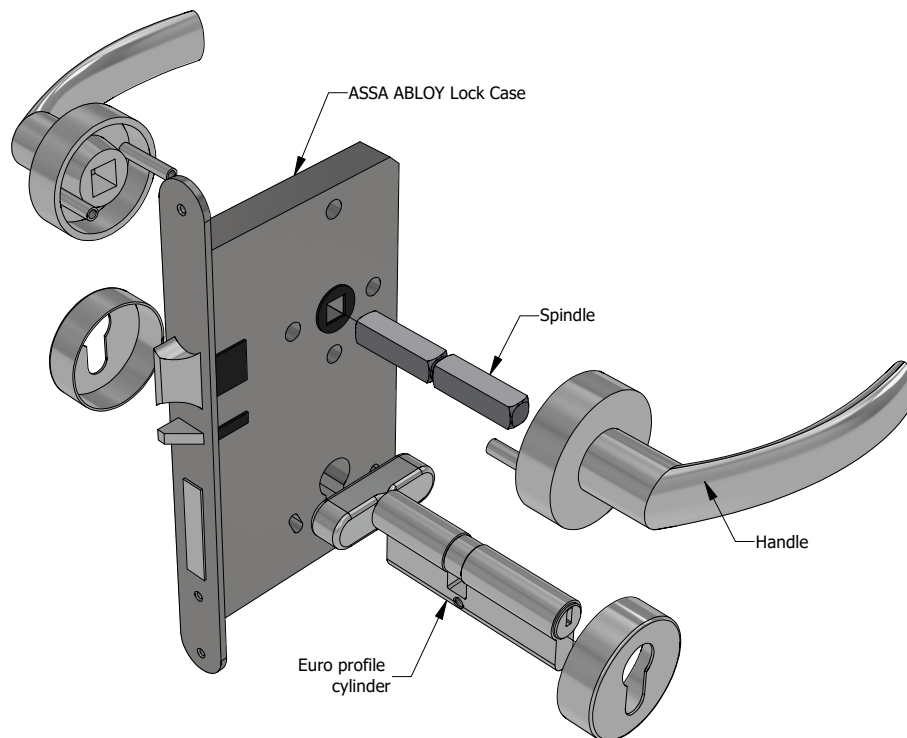
FD30 Electric Solenoid Lock

© Forza Doors Ltd 2024

t: 01403 711126 e: sales@forza-doors.com

Design Right/ Copyright in this drawing belongs to Forza. Neither the whole drawing nor part thereof may be reproduced without the prior permission in writing of Forza.

Exploded View



*Lock Details For Illustrative Purpose Only.

Specification

Door: Timber Particle Board 44 & 54mm
FCE; FCS; FCH

1mm thick MAP intumescent Protection to all faces of latch body & rear of forends & strike.

Title ASSA ABLOY EL 560/561/562/563

Code FD30 Electric Solenoid Lock

Sheet 2 of 2 Date 29/01/2024

Issue 2 Dwg No FZD5127