

# Salto XS4 Original+ FD30

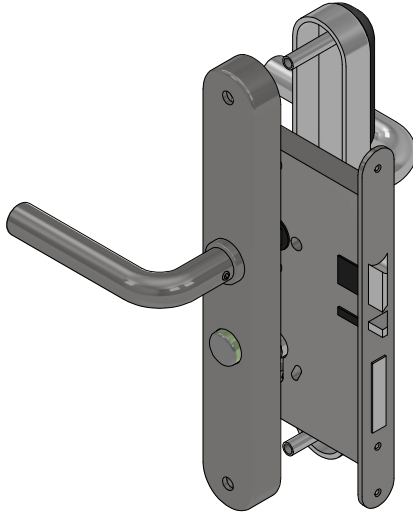
EM4xx + XS4 LE7 & LE8

© Forza Doors Ltd 2024

t: 01403 711126 e: sales@forza-doors.com

Design Right/ Copyright in this drawing belongs to Forza. Neither the whole drawing nor part thereof may be reproduced without the prior permission in writing of Forza.

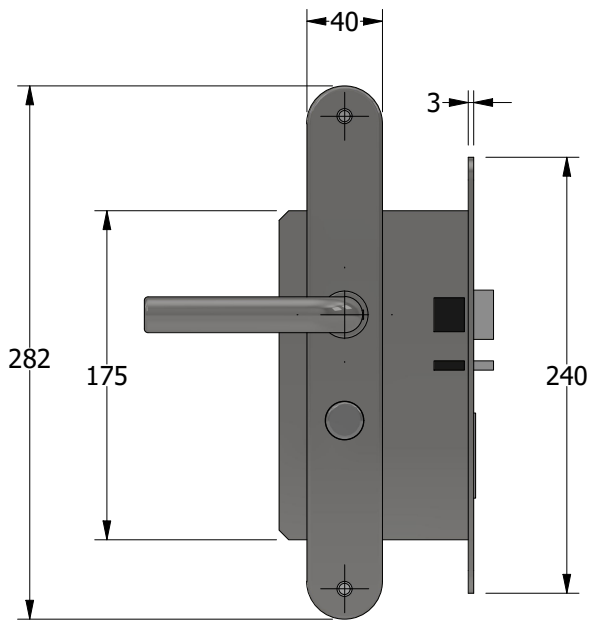
Isometric



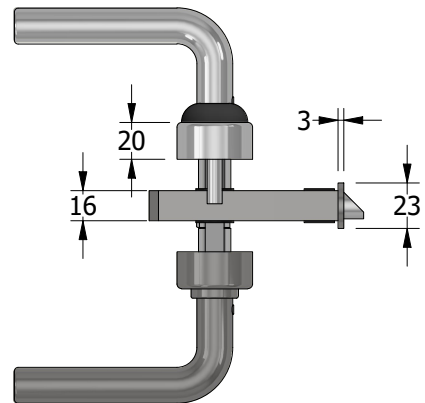
Perspective



Plan



Front



## Specification

Door: Timber Particle Board 44 & 54mm  
FCH; FCS

Additional protection 1.2mm thick intumescent around the lock body, behind forend and strike plate may be installed at either face of assembly.

Title Salto XS4 Original+ FD30

Code EM4xx + XS4 LE7 & LE8

Sheet 1 of 2 Date 29/01/2024

Issue 1 Dwg No FZD5543

# Salto XS4 Original+ FD30

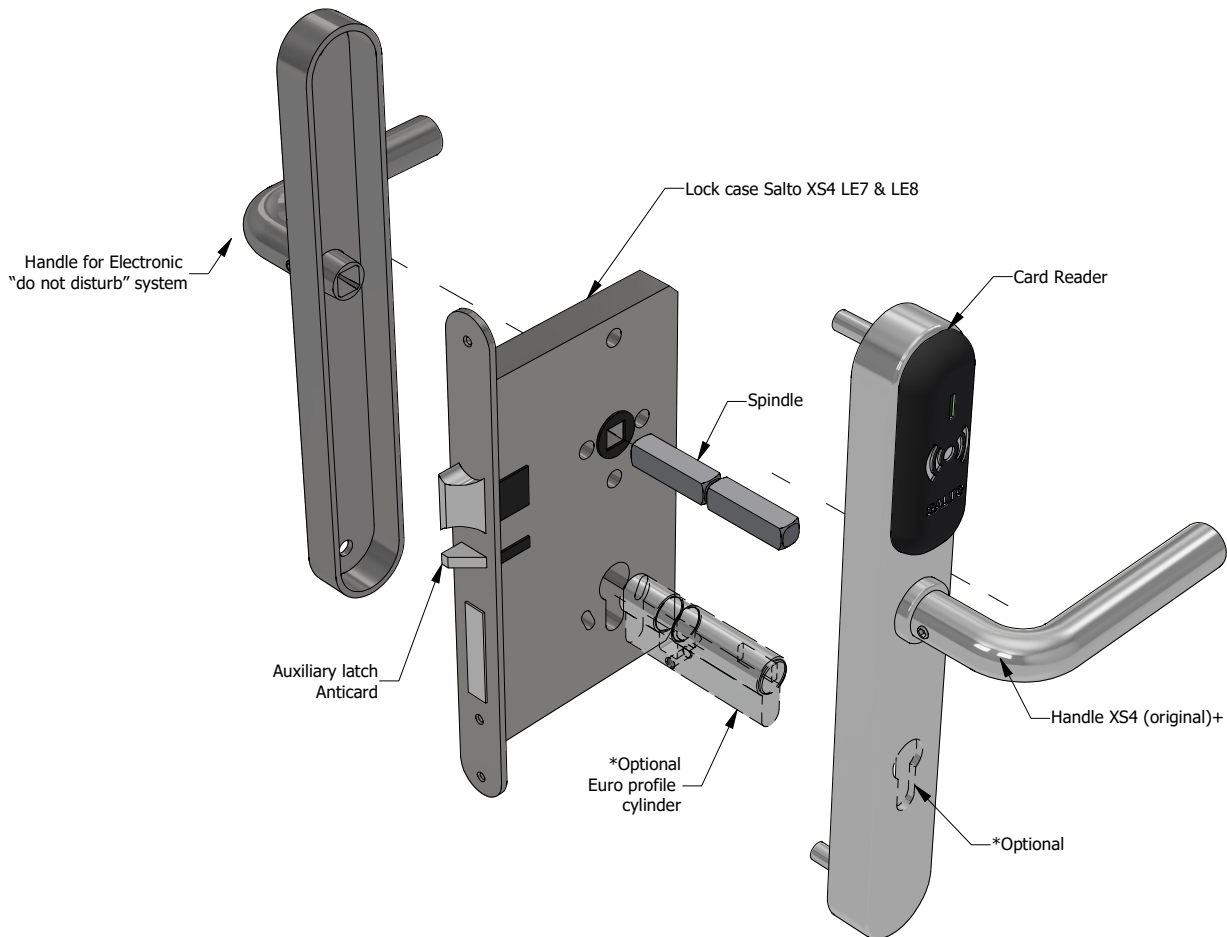
EM4xx + XS4 LE7 & LE8

© Forza Doors Ltd 2024

t: 01403 711126 e: sales@forza-doors.com

Design Right/ Copyright in this drawing belongs to Forza. Neither the whole drawing nor part thereof may be reproduced without the prior permission in writing of Forza.

## Exploded View



\*Lock Details For Illustrative Purpose Only.

## Specification

Door: Timber Particle Board 44 & 54mm  
FCH; FCS

Additional protection 1.2mm thick intumescent around the lock body, behind forend and strike plate may be installed at either face of assembly.

Title	Salto XS4 Original+ FD30		
Code	EM4xx + XS4 LE7 & LE8		
Sheet	2 of 2	Date	29/01/2024
Issue	1	Dwg No	FZD5543