

ASSA ABLOY L100;AL560/BL560

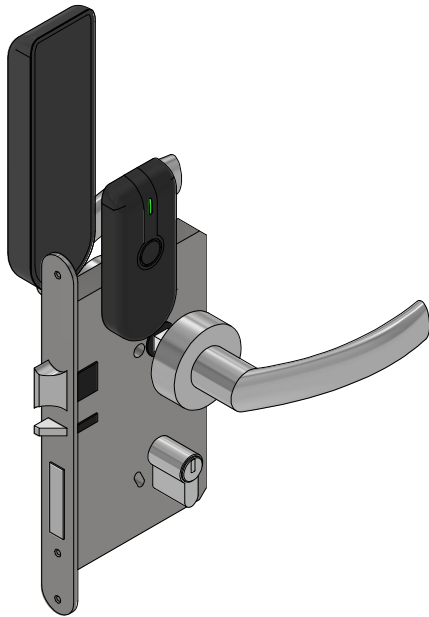
FD30 Battery-powered mortice latch

© Forza Doors Ltd 2024

t: 01403 711126 e: sales@forza-doors.com

Design Right/ Copyright in this drawing belongs to Forza. Neither the whole drawing nor part thereof may be reproduced without the prior permission in writing of Forza.

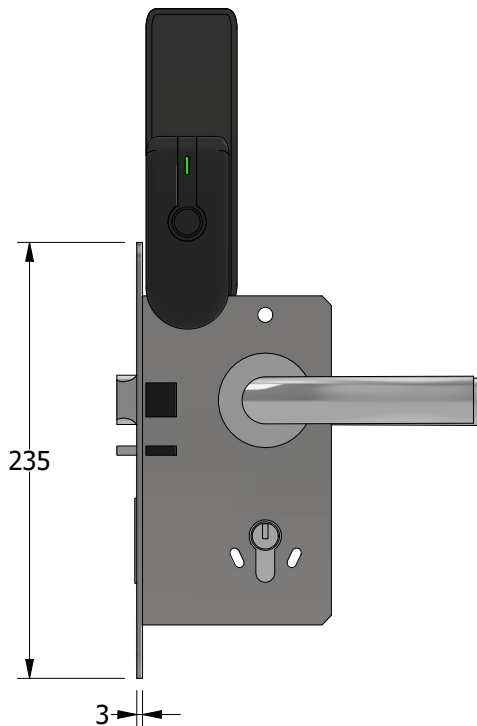
Isometric



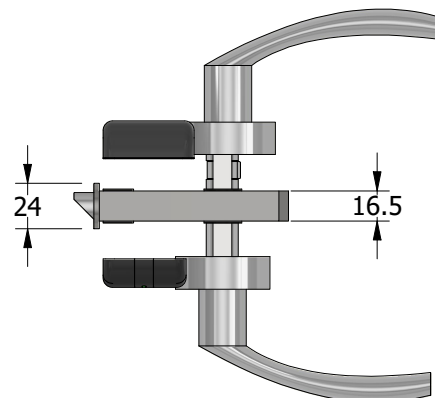
Perspective



Plan



Front



Specification

Door: Timber Particle Board 44 & 54mm
FCH

1mm thick MAP intumescent Protection to all faces of latch body & rear of forends & strike.

Title ASSA ABLOY L100;AL560/BL560
Code FD30 Battery-powered mortice latch
Sheet 1 of 2 Date 21/03/2024
Issue 1 Dwg No FZD5542

ASSA ABLOY L100;AL560/BL560

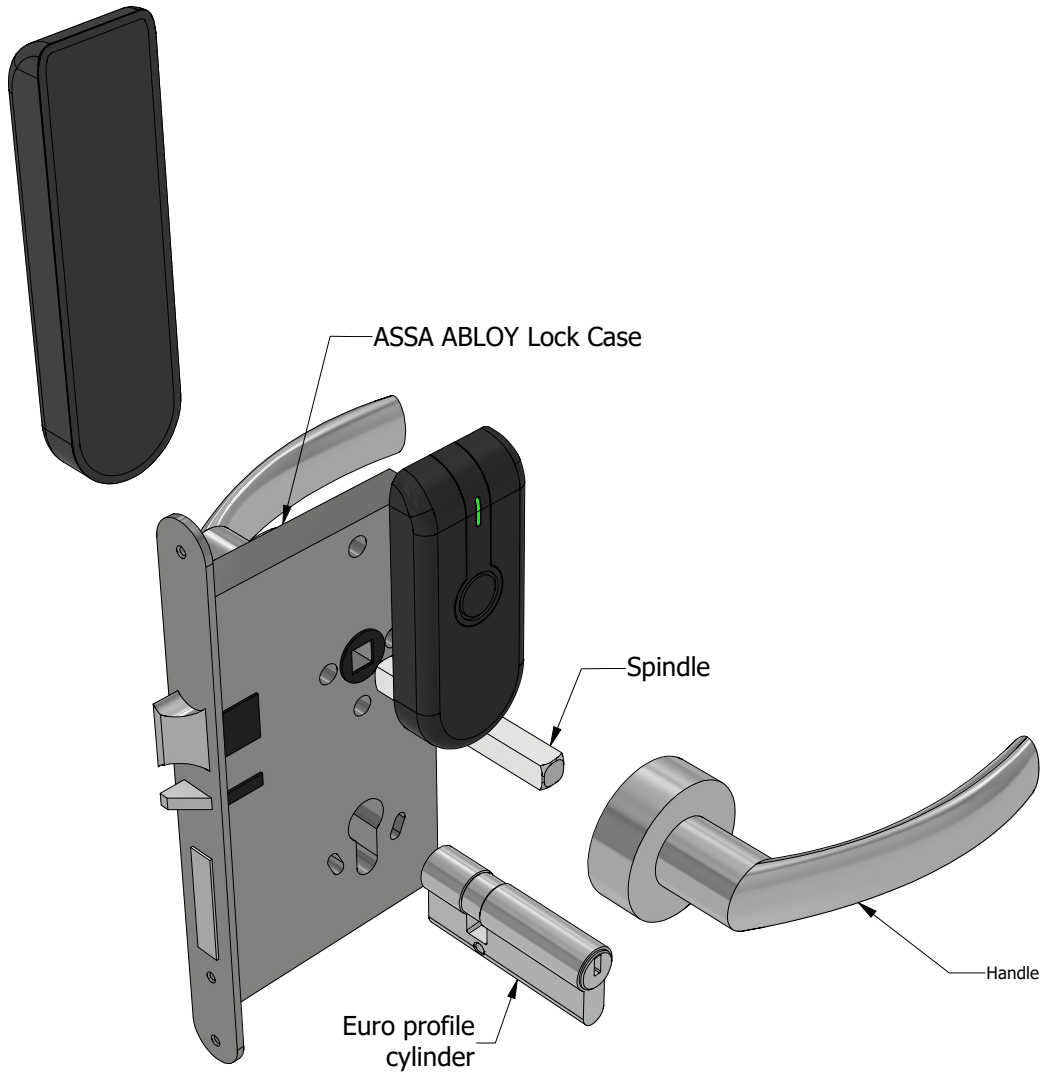
FD30 Battery-powered mortice latch

© Forza Doors Ltd 2024

t: 01403 711126 e: sales@forza-doors.com

Design Right/ Copyright in this drawing belongs to Forza. Neither the whole drawing nor part thereof may be reproduced without the prior permission in writing of Forza.

Exploded View



*Lock Details For Illustrative Purpose Only.

Specification

Door: Timber Particle Board 44 & 54mm
FCH

1mm thick MAP intumescent Protection to all faces of latch body & rear of forends & strike.

Title	ASSA ABLOY L100;AL560/BL560		
Code	FD30 Battery-powered mortice latch		
Sheet	2 of 2	Date	21/03/2024
Issue	1	Dwg No	FZD5542