

# Salto XS4 ONE FD30

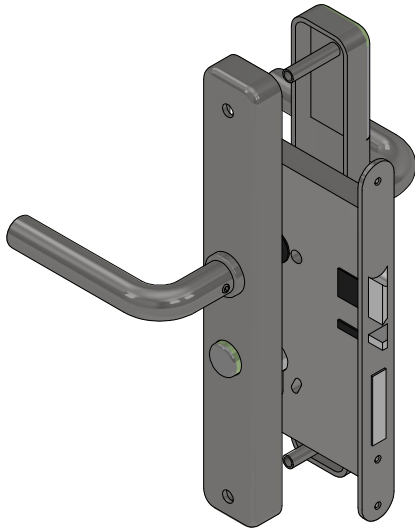
Ex7xx + XS4 LE7 & LE8

© Forza Doors Ltd 2024

t: 01403 711126 e: sales@forza-doors.com

Design Right/ Copyright in this drawing belongs to Forza. Neither the whole drawing nor part thereof may be reproduced without the prior permission in writing of Forza.

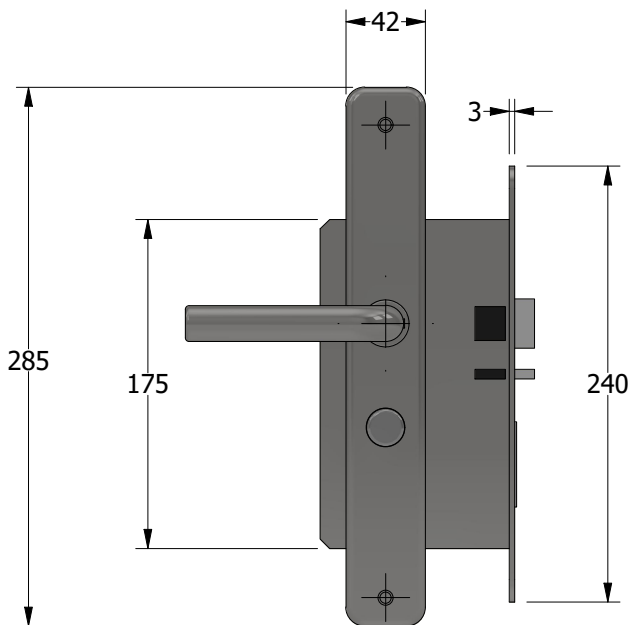
Isometric



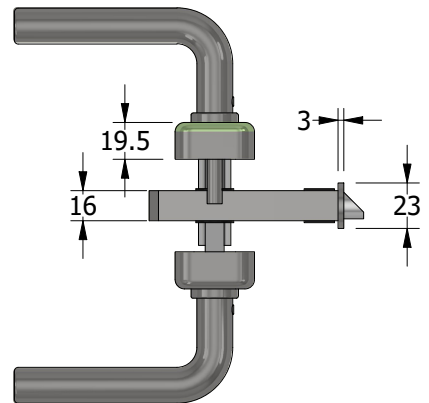
Perspective



Plan



Front



## Specification

Door: Timber Particle Board 44 & 54mm  
FCH; FCS

Additional protection 1.2mm thick intumescent around the lock body, behind forend and strike plate may be installed at either face of assembly.

Title Salto XS4 ONE FD30

Code Ex7xx + XS4 LE7 & LE8

Sheet 1 of 2 Date 29/01/2024

Issue 1 Dwg No FZD5544

# Salto XS4 ONE FD30

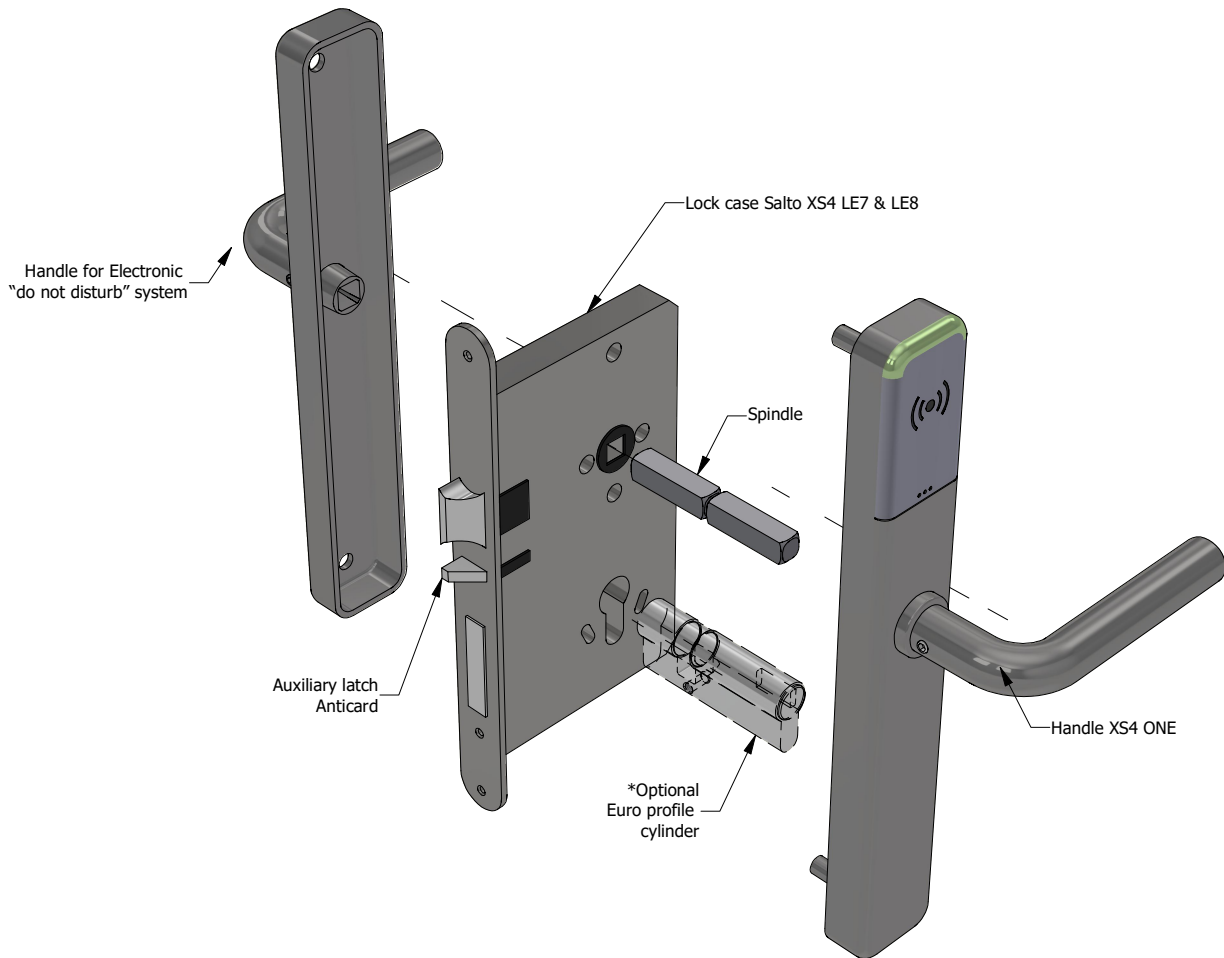
Ex7xx + XS4 LE7 & LE8

© Forza Doors Ltd 2024

t: 01403 711126 e: sales@forza-doors.com

Design Right/ Copyright in this drawing belongs to Forza. Neither the whole drawing nor part thereof may be reproduced without the prior permission in writing of Forza.

## Exploded View



\*Lock Details For Illustrative Purpose Only.

## Specification

Door: Timber Particle Board 44 & 54mm  
FCH; FCS

Additional protection 1.2mm thick intumescant around the lock body, behind forend and strike plate may be installed at either face of assembly.

|       |                       |        |            |
|-------|-----------------------|--------|------------|
| Title | Salto XS4 ONE FD30    |        |            |
| Code  | Ex7xx + XS4 LE7 & LE8 |        |            |
| Sheet | 2 of 2                | Date   | 29/01/2024 |
| Issue | 1                     | Dwg No | FZD5544    |