

ASSA ABLOY EL160/360

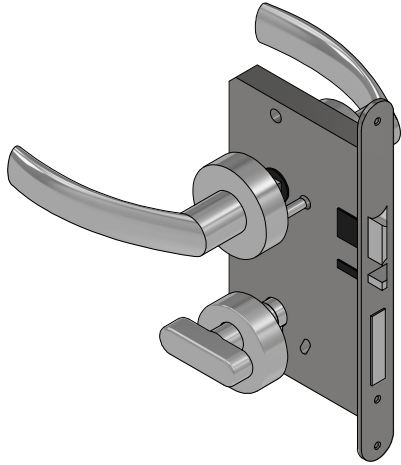
FD60 Mechanical Lock

© Forza Doors Ltd 2024

t: 01403 711126 e: sales@forza-doors.com

Design Right/ Copyright in this drawing belongs to Forza. Neither the whole drawing nor part thereof may be reproduced without the prior permission in writing of Forza.

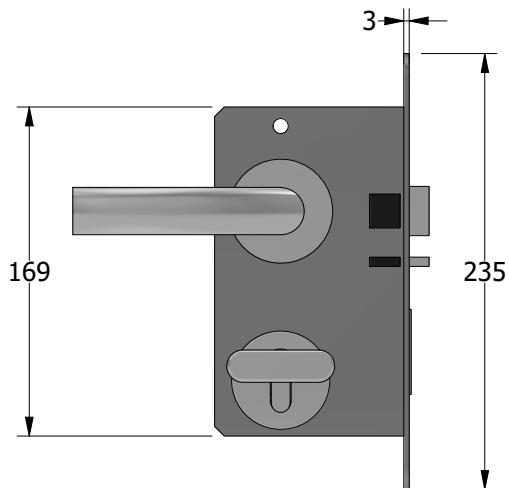
Isometric



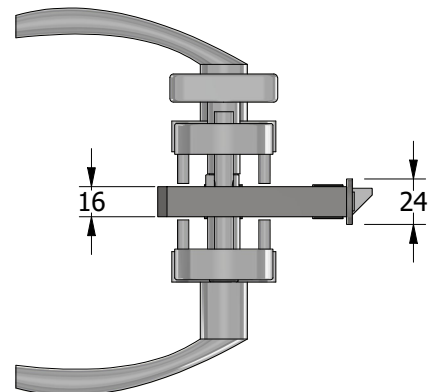
Perspective



Plan



Front



Specification

Door: Timber Particle Board 54mm
FCH; FCS

Additional protection 1mm thick
intumescent around lock body,
beneath the forend and strike plate.

Title ASSA ABLOY EL160/360

Code FD60 Mechanical Lock

Sheet 1 of 2 Date 29/01/2024

Issue 1 Dwg No FZD5549

ASSA ABLOY EL160/360

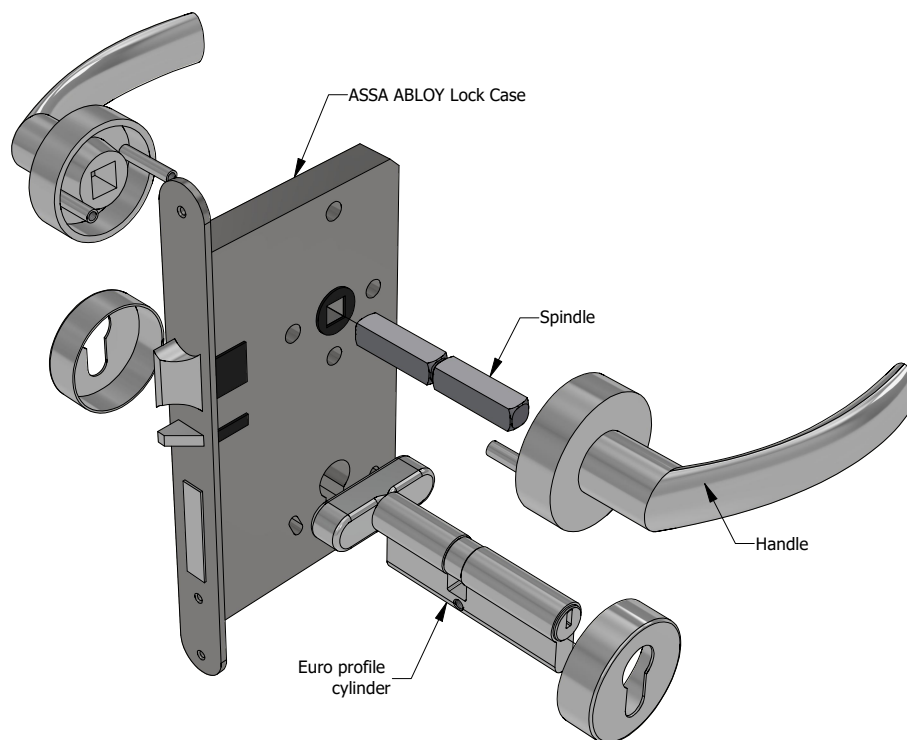
FD60 Mechanical Lock

© Forza Doors Ltd 2024

t: 01403 711126 e: sales@forza-doors.com

Design Right/ Copyright in this drawing belongs to Forza. Neither the whole drawing nor part thereof may be reproduced without the prior permission in writing of Forza.

Exploded View



*Lock Details For Illustrative Purpose Only.

Specification

Door: Timber Particle Board 54mm
FCH; FCS

Additional protection 1mm thick
intumescent around lock body,
beneath the forend and strike plate.

Title ASSA ABLOY EL160/360

Code FD60 Mechanical Lock

Sheet 2 of 2 Date 29/01/2024

Issue 1 Dwg No FZD5549