

Salto XS4 ONE FD60

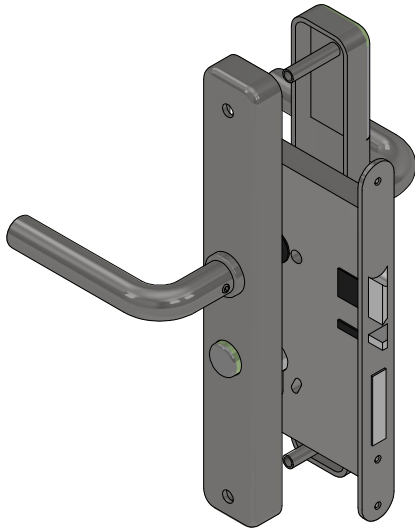
Ex7xx XS4 LE7 & LE8

© Forza Doors Ltd 2024

t: 01403 711126 e: sales@forza-doors.com

Design Right/ Copyright in this drawing belongs to Forza. Neither the whole drawing nor part thereof may be reproduced without the prior permission in writing of Forza.

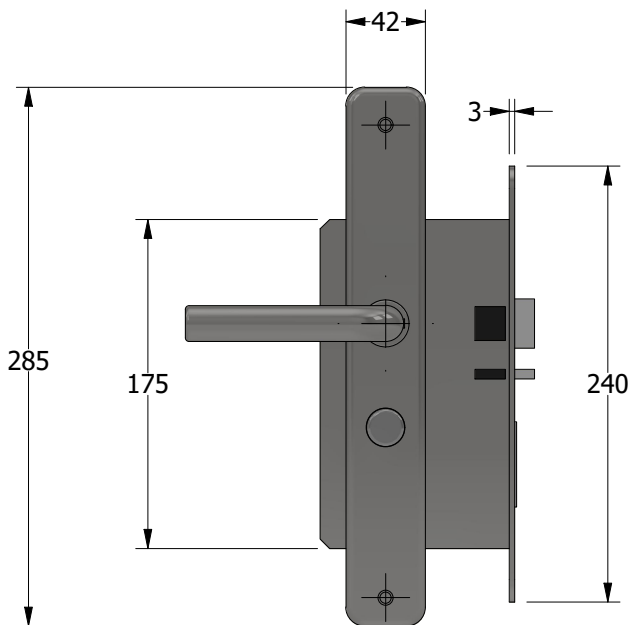
Isometric



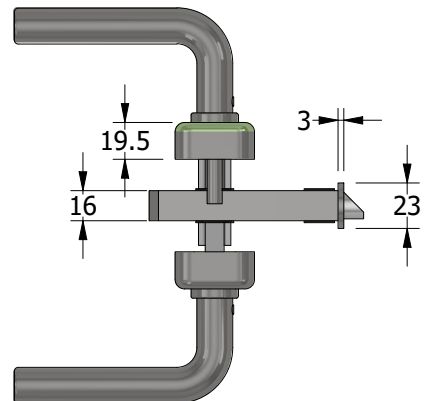
Perspective



Plan



Front



Specification

Door: Timber Particle Board 54mm
FCH; FCS

Additional protection 1.2mm thick
intumescent around the lock body,
behind forend and strike plate
may be installed at either face of
assembly.

Title Salto XS4 ONE FD60

Code Ex7xx XS4 LE7 & LE8

Sheet 1 of 2 Date 29/01/2024

Issue 1 Dwg No FZD5555

Salto XS4 ONE FD60

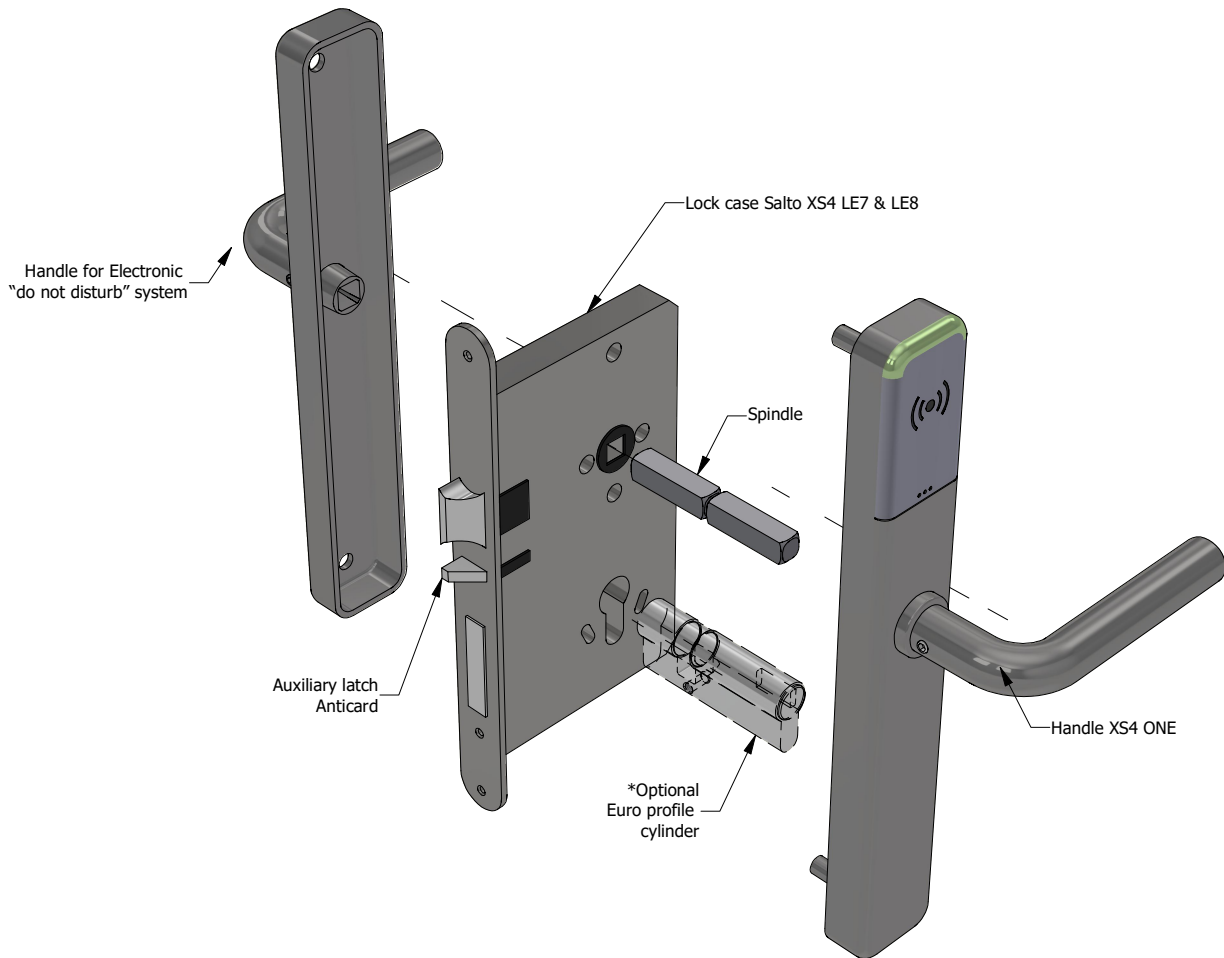
Ex7xx XS4 LE7 & LE8

© Forza Doors Ltd 2024

t: 01403 711126 e: sales@forza-doors.com

Design Right/ Copyright in this drawing belongs to Forza. Neither the whole drawing nor part thereof may be reproduced without the prior permission in writing of Forza.

Exploded View



*Lock Details For Illustrative Purpose Only.

Specification

Door: Timber Particle Board 54mm
FCH; FCS

Additional protection 1.2mm thick
intumescant around the lock body,
behind forend and strike plate
may be installed at either face of
assembly.

Title	Salto XS4 ONE FD60		
Code	Ex7xx XS4 LE7 & LE8		
Sheet	2 of 2	Date	29/01/2024
Issue	1	Dwg No	FZD5555