

BEA 4Safe ON SW

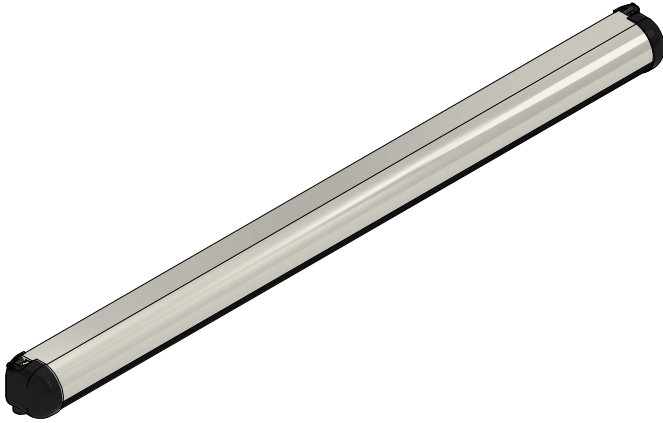
FD60 Safety Sensor

© Forza Doors Ltd 2024

t: 01403 711126 e: sales@forza-doors.com

Design Right/ Copyright in this drawing belongs to Forza. Neither the whole drawing nor part thereof may be reproduced without the prior permission in writing of Forza.

Isometric

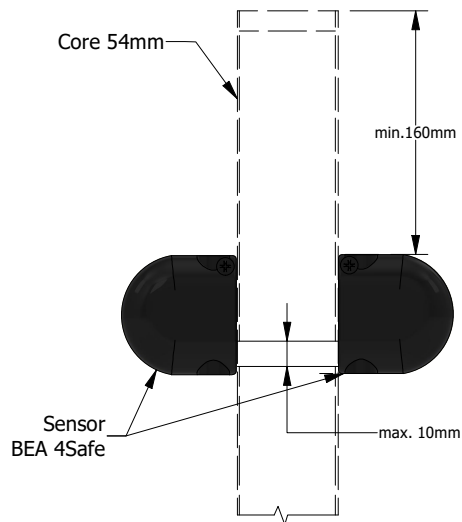


Perspective



* The sensor must be set a minimum of 160mm below the head of the leaf and 115mm from the closing stile.

Plan



* Bore Hole between sensors to be max. 10mm diameter filled with intumescent acrylic sealant.

Front



Specification

Door: Timber Particle Board 54mm
FCH; FCS

The sensor must only be fitted on doors without glazing or door with fully insulated fire glass

Title	BEA 4Safe ON SW		
Code	FD60 Safety Sensor		
Sheet	1 of 1	Date	26/01/2024
Issue	1	Dwg No	FZD5557