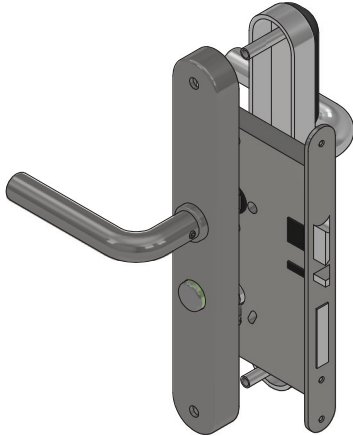


Salto XS4 Original+

FD60

EM4xx + XS4 LE7 & LE8

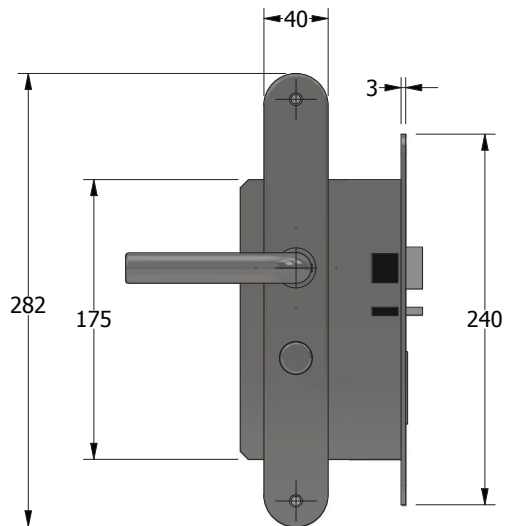
Isometric



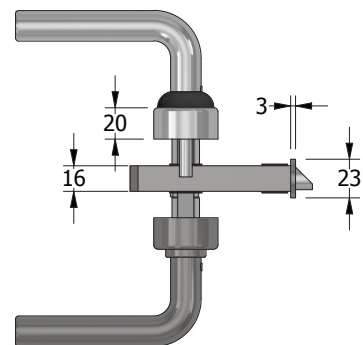
Perspective



Plan



Front



forza-doors.com
01403 711 126
info@forza-doors.com

TITLE	Salto XS4 Original+ FD60
CODE	EM4xx + XS4 LE7 & LE8
SHEET	1 of 2
DATE	29/01/2024
ISSUE	1
DWG No.	FZD5551

DOOR Timber Particle Board 54mm
FCH; FCS

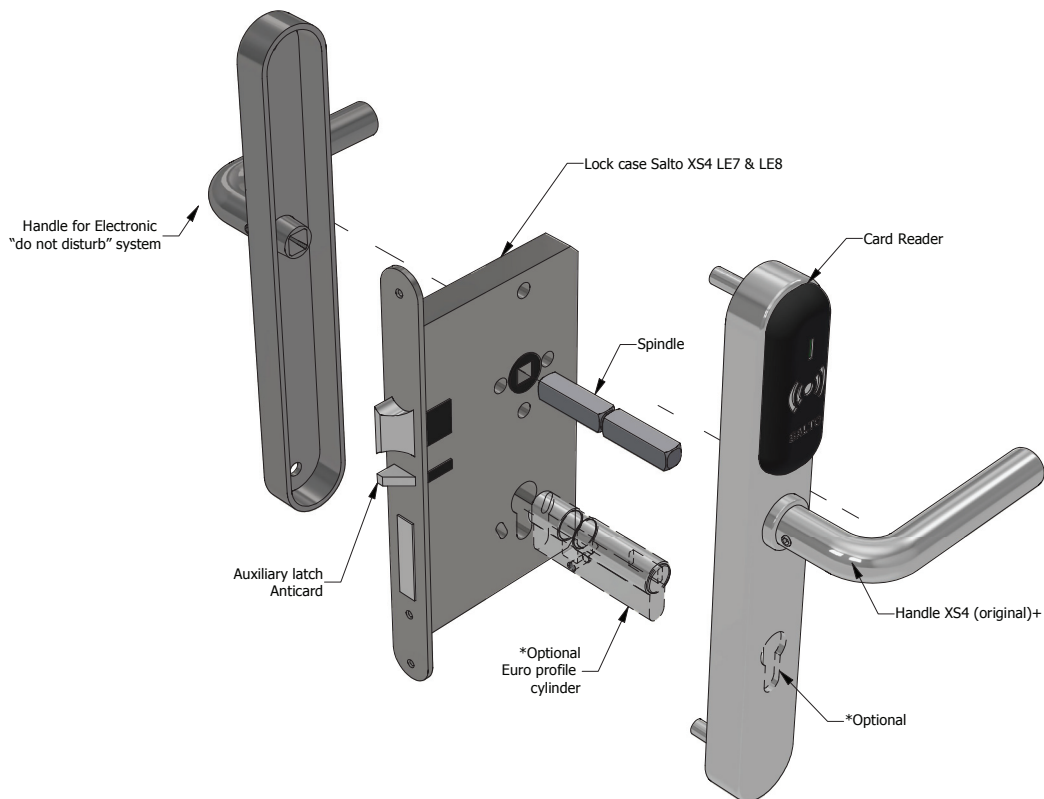
Additional protection 1.2mm thick intumescent around the lock body, behind forend and strike plate may be installed at either face of assembly.

Salto XS4 Original+

FD60

EM4xx + XS4 LE7 & LE8

Exploded View



*Lock Details For Illustrative Purpose Only.



forza-doors.com
01403 711 126
info@forza-doors.com

TITLE	Salto XS4 Original+ FD60
CODE	EM4xx + XS4 LE7 & LE8
SHEET	2 of 2
DATE	29/01/2024
ISSUE	1
DWG No.	FZD5551

DOOR	Timber Particle Board 54mm FCH; FCS
	Additional protection 1.2mm thick intumescent around the lock body, behind forend and strike plate may be installed at either face of assembly.