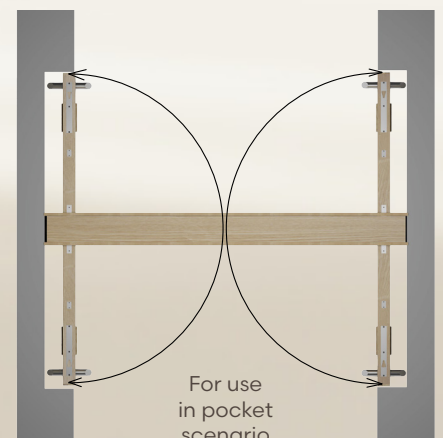
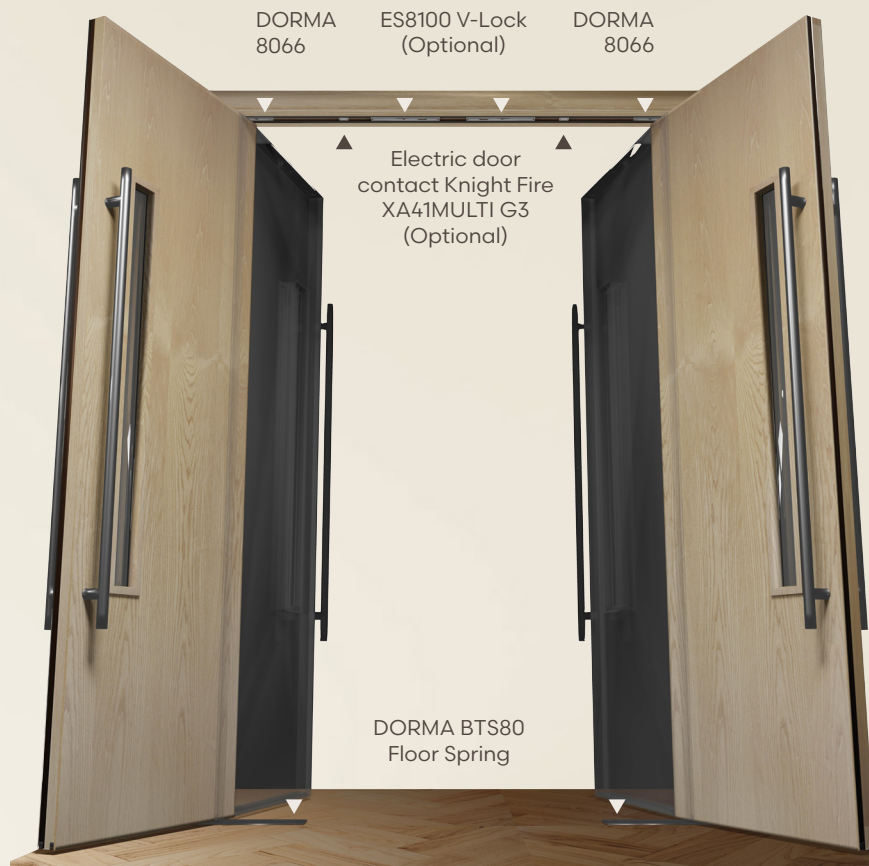


Timber Double Action Pivot Door with Smoke Control

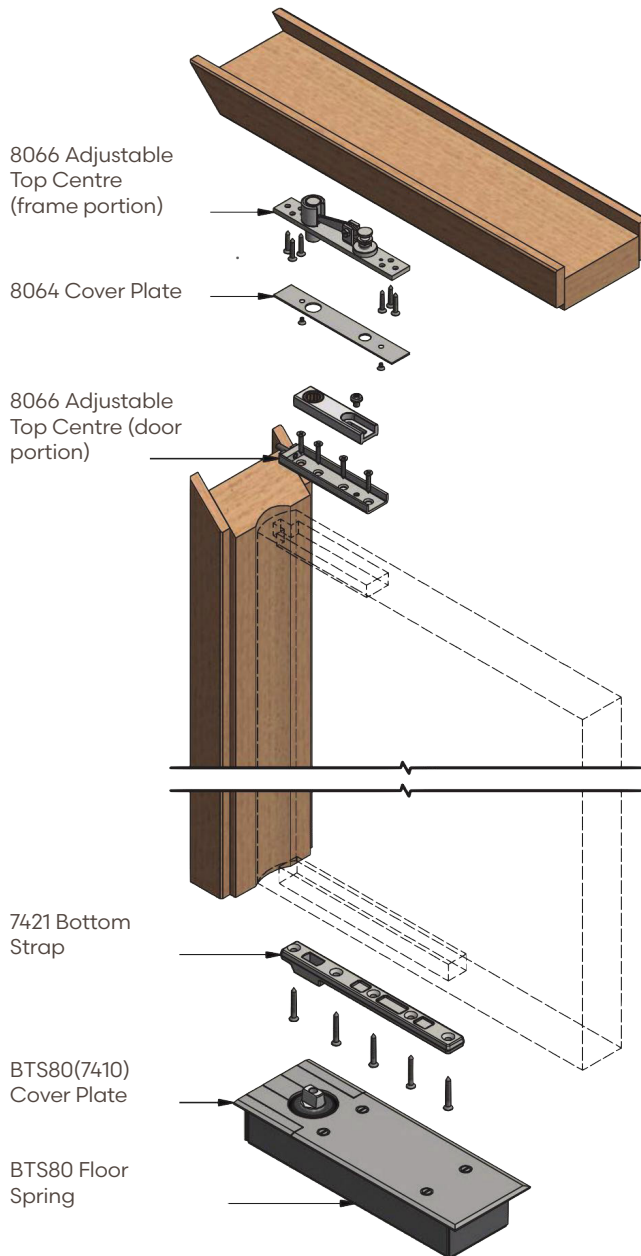
FD60s



FLOOR SPRING & PIVOT BOX IRONMONGERY DETAIL

FD60S

Exploded isometric



Visual details for illustrative purposes only.

Floor spring options

Option 1 - Built-in Hold Open

DormaKaba BTS80 EMB An Electromagnetic Floor Spring with hold open capabilities



Option 2 - Hold Open fixed to door face

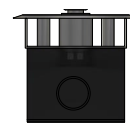
DormaKaba BTS80 F A Universal Floor Spring for Double Acting Door Assemblies - Suitable for use with Magnetic Hold Open Armature plates to a maximum of 100 x 100 mm foot print, 150 mm away from any aperture, 50 mm from edge of door



Magnetic Hold Open Armature



Pivot box options



Option 1

Pivot box wrapped in 2 mm MAP when used with Timber base cill.
DormaKaba BTS80 - For Non-combustible Floor/Ceramic Tiles



Option 2

DormaKaba BTS80 - Flush to FFL



forza-doors.com
01403 711126
info@forza-doors.com

Specification

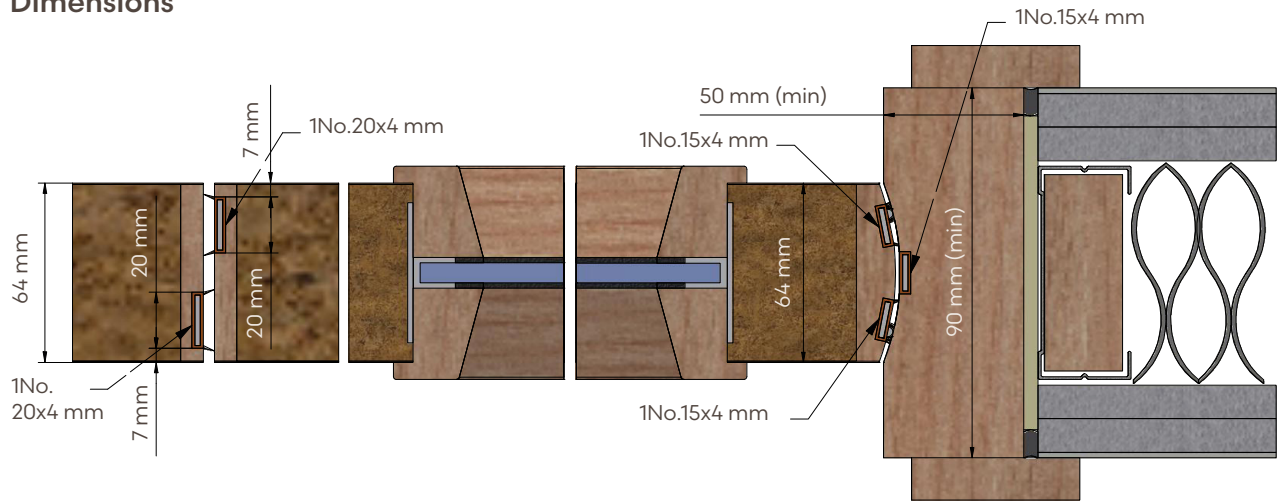
CORE TYPE	64 mm FCH90
LINER	Solid Timber min. density 640 kg/m ²
FIRE RATING	FD60s

TITLE	Timber Double Action Pivot Door - Smoke Control
ISSUE	1
SHEET	1 of 6
DATE	31/03/2026
DWG No	FZD5643

DIMENSIONS, SEALS & VISION PANELS FRAME DETAIL

FD60S

Dimensions



Seal Key

Door Seal:

Frame Head:

- 1No. 20x4 mm (Lorient LP2004DS_2No. Flexi Fins)
- 1No. 25x4 mm (Lorient LP2504DS_2No. Flexi Fins)
- To be set centrally on 64 mm door leaf thickness spaced 6 mm apart

Frame Hanging Jamb:

- 1No. 15x4 mm (Sealed Tight Solutions STS154FO)
- To be centrally fitted at the scollop

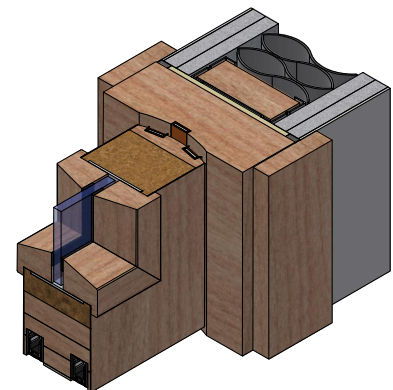
Door Hanging Edge:

- 2No. 15x4 mm (Lorient LP1504DS_2No. Flexi Fins)
- To be set 8 mm from the leaf face

Door Meeting Stile:

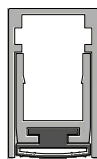
- 2No. 20x4 mm (Lorient LP2004DS_2No. Flexi Fins)
- To be set in opposite leaves, one seal 7 mm from the opening face and other 7 mm from the closing face

Isometric view



Bottom Seal:

- 2No. ST422 - SGTx Roller Ball
- 20x1 mm graphite Ints. to both faces of drop seals
- 25x2 mm palusol at the leaf base between 2No. drop seals



Threshold:

- Max. allowed threshold gap 8 mm.
- Non combustible materials that form part of the approved floor system.

Ironmongery:

- Steel pull handle to a maximum of 1500 mm between fixing points

VP Options:

Beads:

- Hockey & Flush Beads to a maximum area of 1.06 m²
- Cattle Beads with Pyrobel 12 only to a maximum of 1.06 m²

Glass:

- Pyrobel 12 (60/0) 16 (60/30) 16 EG Directional (60/30) 25 (60/60)

Visual details for illustrative purposes only.



forza-doors.com

01403 711126

info@forza-doors.com

Specification

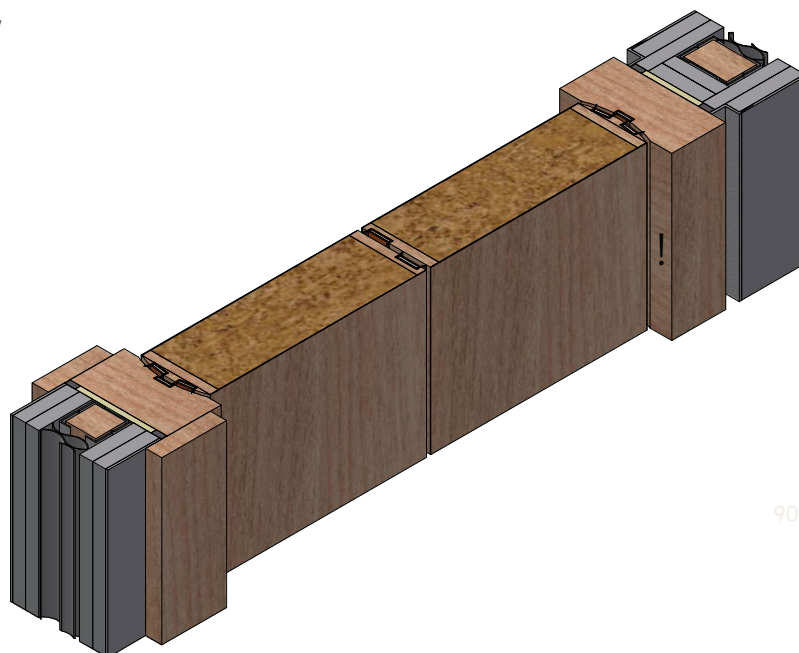
CORE TYPE	64 mm FCH90
LINER	Solid Timber min. density 640 kg/m ²
FIRE RATING	FD60s

TITLE	Timber Double Action Pivot Door - Smoke Control
ISSUE	1
SHEET	2 of 6
DATE	31/03/2026
DWG No	FZD5643

ARCHITRAVE OR SHADOW GAP FRAME DETAIL

FD60S

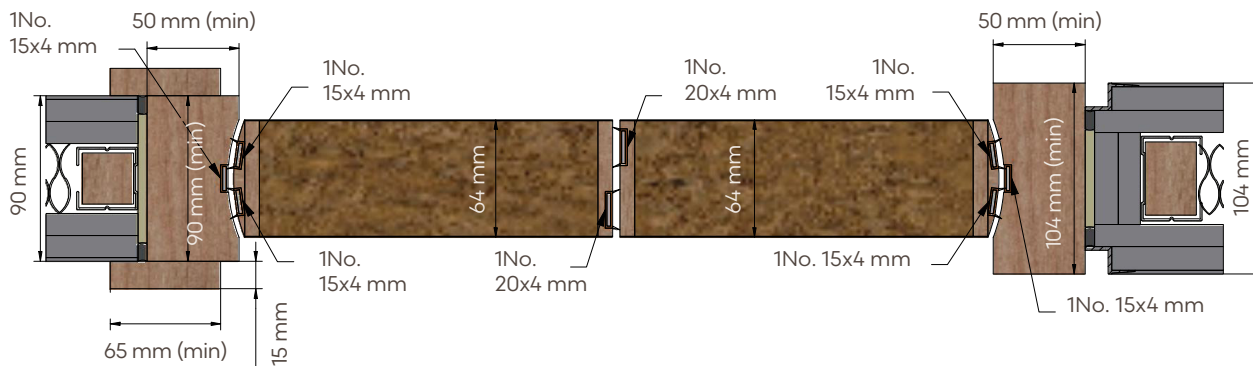
Isometric view



90 mm (min)

6 mm

Dimensions



Architrave Option

Shadow Gap Option

The gap between the frame and the supporting construction shall be between 5mm and 10mm. Architraves may be omitted where Mann McGowan Pyromas A or Sealed Tight Solutions ST88 intumescent mastic is used in conjunction with appropriate mineral wool infill (e.g. Insulfrax or Superwool), provided that a minimum frame depth of 90mm is maintained.

Visual details for illustrative purposes only.



forza-doors.com
01403 711126
info@forza-doors.com

Specification

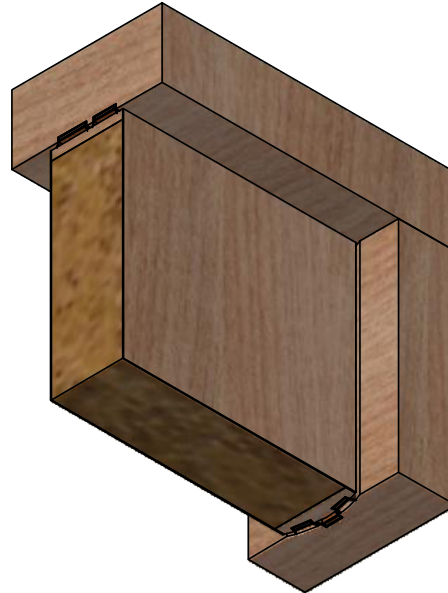
CORE TYPE	64 mm FCH90
LINER	Solid Timber min. density 640 kg/m ²
FIRE RATING	FD60s

TITLE	Timber Double Action Pivot Door - Smoke Control
ISSUE	1
SHEET	3 of 6
DATE	31/03/2026
DWG No	FZD5643

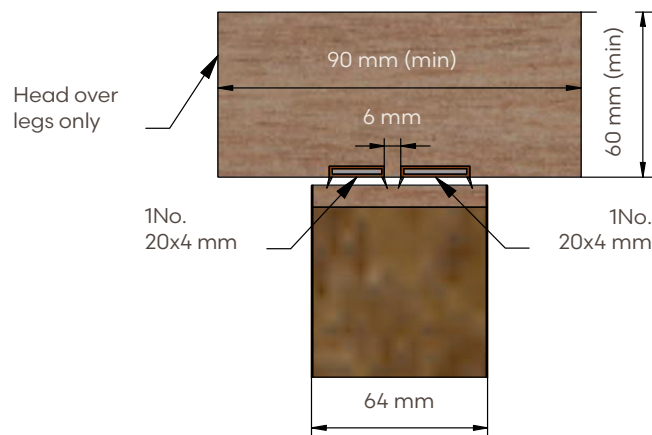
ARCHITRAVE OR SHADOW GAP FRAME DETAIL

FD60S

Isometric view



Dimensions



Visual details for illustrative purposes only.



forza-doors.com
01403 711126
info@forza-doors.com

Specification

CORE TYPE 64 mm FCH90
LINER Solid Timber min. density 640 kg/m²
FIRE RATING FD60s

TITLE

ISSUE
SHEET
DATE
DWG No

Timber Double Action Pivot Door
- Smoke Control

1
4 of 6
31/03/2026
FZD5643

ENVELOPE OF APPROVED DOOR LEAF SIZE IN A FLUSH TIMBER FRAME

FD60S

FD60 Envelope of Approved Door Leaf Size in a Flush Timber Frame FD60s - (Pivot & Smoke)

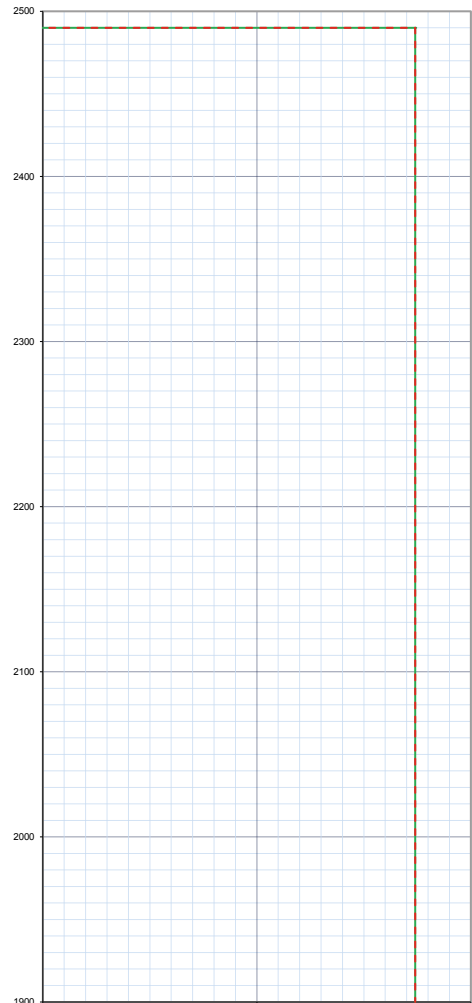
- Unlatched
- Double Acting
- Double Leaf without Overpanel
- **ULDADD**

Double Acting Double Door Vertical Meeting Edge			
	Square	Rebate	
		Unequal	Equal
FCH90	•	NO	NO

Forza maximum manufacturing leaf size indicated by red dashed line

2490mm high x 874mm wide

The Leaf size of each Forza core shown on this graph is calculated from an evaluation of British Standard 476: Part 22: 1987 fire resistance test evidence reference in KFSC (IFC). Field of Application report.



Forza Core	Leaf Size				Vision Panel Size Limit					
	Max height	Associated width	Max width	Associated height	Max combined Area m ²	Max Height mm	Max Width mm	Min Margin		
								Head and Style	From Base	Between VPs
FCH90	2490	874	874	2490	1.06	1700	626	150	200	100



Specification

TITLE

Timber Double Action Pivot Door - Smoke Control

ISSUE

1

SHEET

5 of 6

DATE

31/03/2026

DWG No

FZD5643

forza-doors.com

01403 711126

info@forza-doors.com

CORE TYPE

64 mm FCH90

LINER

Solid Timber min. density 640 kg/m²

FIRE RATING

FD60s

DOUBLE ACTION DOUBLE DOOR PRODUCTION SPECIFICATION

Production Specification:

- FCH90 64mm thick Door Core Only
- Maximum Leaf Size = 2490mm (H) x 874mm (W) x 64mm (T)
- Maximum Aperture for VP 1.06m2 – Max Height 1700mm – Max Width 626mm
- Beads – Hockey, Flush or Cattle Beads (Cattle beads Pyrobel 12 Glass Permitted FD60/0)
- Glass permitted Pyrobel 12 (FD60/0), 16, 16EG (FD60/30) & 25 (FD60/60)

Seal Arrangement:

Frame Head:

- 1No. 20 x 4mm (Lorient LP2004DS_2No. Flexi Fins)
- 1No. 25 x 4mm (Lorient LP2504DS_2No. Flexi Fins)

To be set centrally on 64mm door leaf thickness spaced 6mm apart

Frame Hanging Jamb:

- 1No. 15 x 4mm (Sealed Tight Solutions STS154FO)

To be centrally fitted at the scallop

Door Hanging Edge:

- 2No. 15 x 4mm (Lorient LP1504DS_2No. Flexi Fins)

To be set 8mm from the leaf face

Door Meeting Stile:

- 2No. 20 x 4mm (Lorient LP2004DS_2No. Flexi Fins)

To be set in opposite leaves, one seal 7mm from the opening face and other 7mm from the closing face

Bottom Seal:

- 2No. ST422 - SGTX Roller Ball
- 20x1mm graphite Ints. to both faces of drop seals
- 25x2mm Palusol at the leaf base between 2No. drop seals

Threshold

- Non Combustible materials that form part of the approved Floor System
- Threshold gap is a maximum of 8mm

Ironmongery:

Option 1

- Dormakaba BTS80 EMB - An Electromagnetic Floor spring with hold open capabilities.
- Pivot box wrapped in 2mm MAP
- For Non-combustible Floor / Ceramic Tiles

Option 2

- Dormakaba BTS 80 F A Universal Floor Spring for Double Acting Door Assemblies
- Suitable for use with Magnetic Hold Open Armature plates to a maximum of 100 x 100mm foot print, 150mm away from any aperture, 50mm from edge of door
- Pivot box wrapped in 2mm MAP Flush to FFL

With BTS80

(Optional - 7410 Cover plate or BTS-86 Terrazzo Pan)

- Bottom Strap 7421
- Top/centre Strap 8066
- Cover Plate 8064

Optional Ironmongery:

- Assa Abloy ES8100 V Lock
- Knight Fire XA41MULTI G3 Contacts
- Pull Handles - Steel material up to a maximum of 1500mm between outer fixing points & steel Push plates to suit with maximum 12mm long screws

Frame Dimensions:

- Head – Minimum 60mm (T) x 90mm (W)
- Jambs – Minimum 50mm (T) x 90mm (W) C/W Centre Scallop Minimum
- Shadow gap optional – Liner to be increased to suit capped supporting construction
- Any specifications outside of the above information is not permitted for this configuration
- Reference drawing FZD5643



forza-doors.com

01403 711126

info@forza-doors.com

Specification

CORE TYPE 64 mm FCH90

LINER Solid Timber min. density 640 kg/m²

FIRE RATING FD60s

TITLE Timber Double Action Pivot Door - Smoke Control

ISSUE 1

SHEET 6 of 6

DATE 31/03/2026

DWG No FZD5643

FD60s D/A Pivot Door

